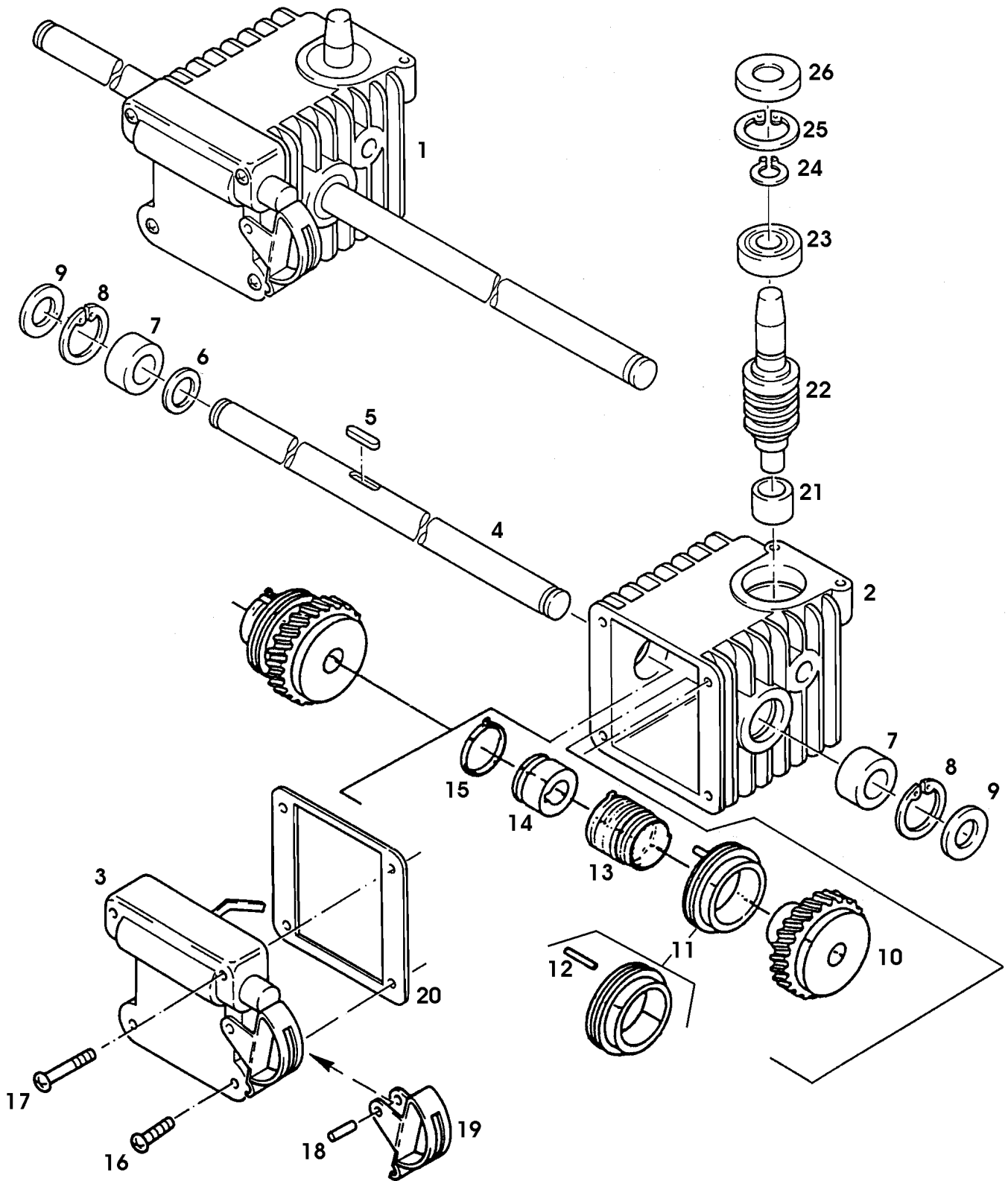


SA000998



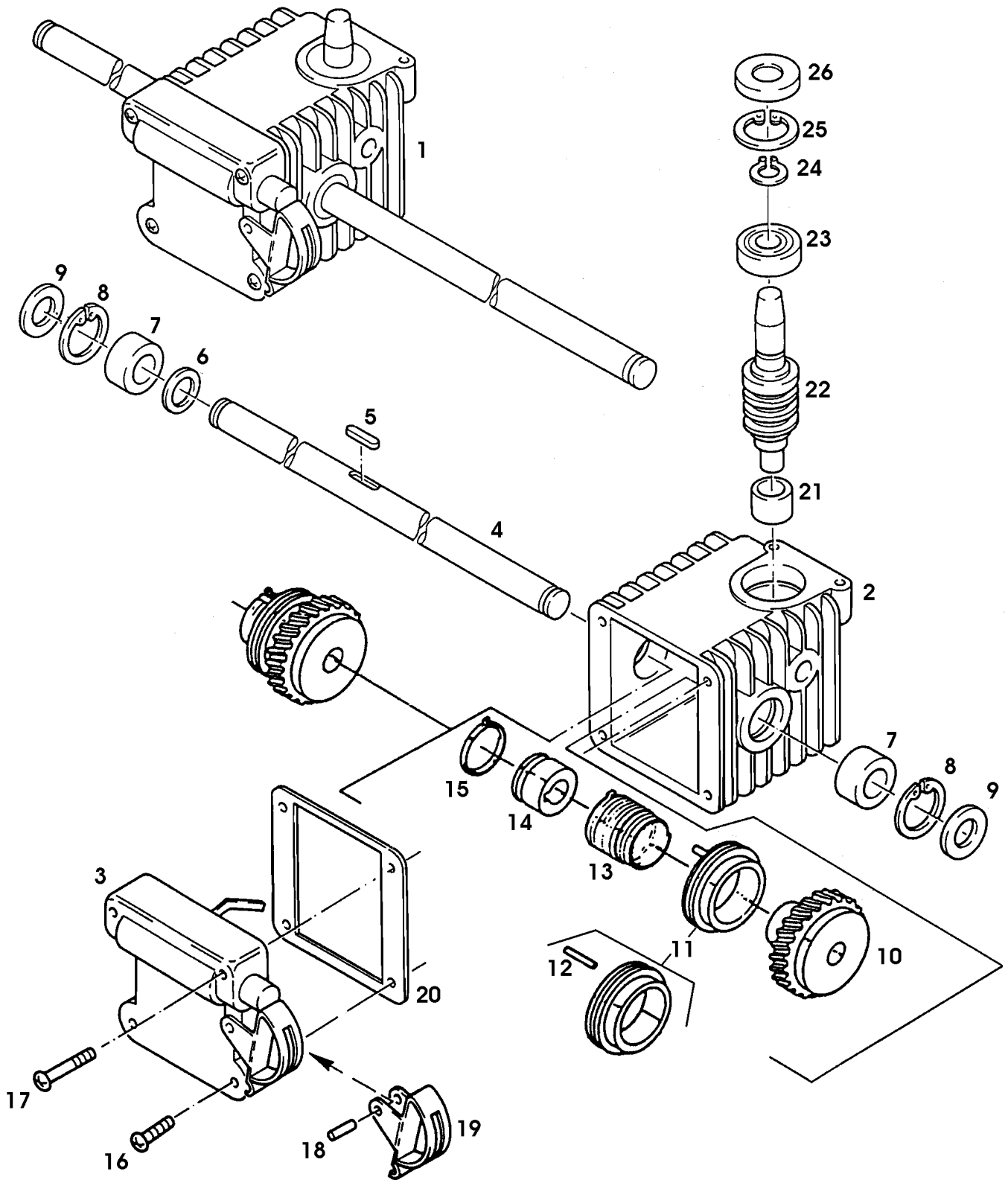
| TEIL | STCK.NR | BEZEICHNUNG | STCK. | SER-NR.- | -SER-NR. | BEMERKUNG |
|------|---------|-----------------|-------|----------|----------|--------------|
| 1 | SA34061 | GETRIEBE | 1 | | | |
| 2 | SA17676 | GEHÄUSE | 1 | | | |
| 3 | SA29810 | DECKEL | 1 | | | |
| 4 | SA16537 | ANTRIEBSWELLE | 1 | | | |
| 5 | SA15959 | KEIL | 1 | | | 5X5X16 |
| 6 | SA15699 | SCHEIBE | 1 | | | SS 14X20X1,5 |
| | SA15873 | DISTANZSCHEIBE | 1 | | | PS 14X20X0,5 |
| | SA15806 | SCHEIBE | AR | | | PS 14X20X0,1 |
| | SA15872 | DISTANZSCHEIBE | AR | | | PS 14X20X0,2 |
| | SA15871 | DISTANZSCHEIBE | AR | | | PS 14X20X0,3 |
| 7 | SA17689 | LAGER | 2 | | | |
| 8 | SA15740 | RING | 2 | | | J 22X1,0 |
| 9 | SA17698 | RADIALDICHRING | 2 | | | |
| 10 | SA17679 | SCHNECKENRAD | 1 | | | |
| 11 | SA17682 | SCHALTMUFFE | 1 | | | 7MM |
| 12 | SA30329 | KERBSTIFT | 2 | | | 3X20 |
| 13 | SA17688 | FEDER | 1 | | | |
| 14 | SA30332 | MITNEHMER | 1 | | | |
| 15 | SA30333 | FEDER | 1 | | | |
| 16 | SA15386 | SCHRAUBE | 2 | | | M5X18 |
| 17 | SA15387 | SCHRAUBE | 2 | | | M5X28 |
| 18 | SA15820 | KERBSTIFT | 1 | | | 4X14 |
| 19 | SA17699 | GANGSCHALTHEBEL | 1 | | | |
| 20 | SA17675 | DICHTUNG | 1 | | | |
| 21 | SA17690 | LAGER | 1 | | | |
| 22 | SA17680 | FÖRDERSCHECKE | 1 | | | |
| 23 | SA18008 | KUGELLAGER | 1 | | | |
| 24 | SA15807 | SCHEIBE | 1 | | | 12X18X0,5 |
| 25 | SA16213 | SPRENGRING | 1 | | | A 12X1,0 |
| 26 | SA15005 | SPRENGRING | 1 | | | 28X1,2 |
| 27 | SA15006 | RADIALDICHRING | 1 | | | 12X28X7 |
| | SA15012 | ÖL | 1 | | | 80CCM |
| | SA16341 | SCHLÜSSEL | 1 | | | |



SA002412



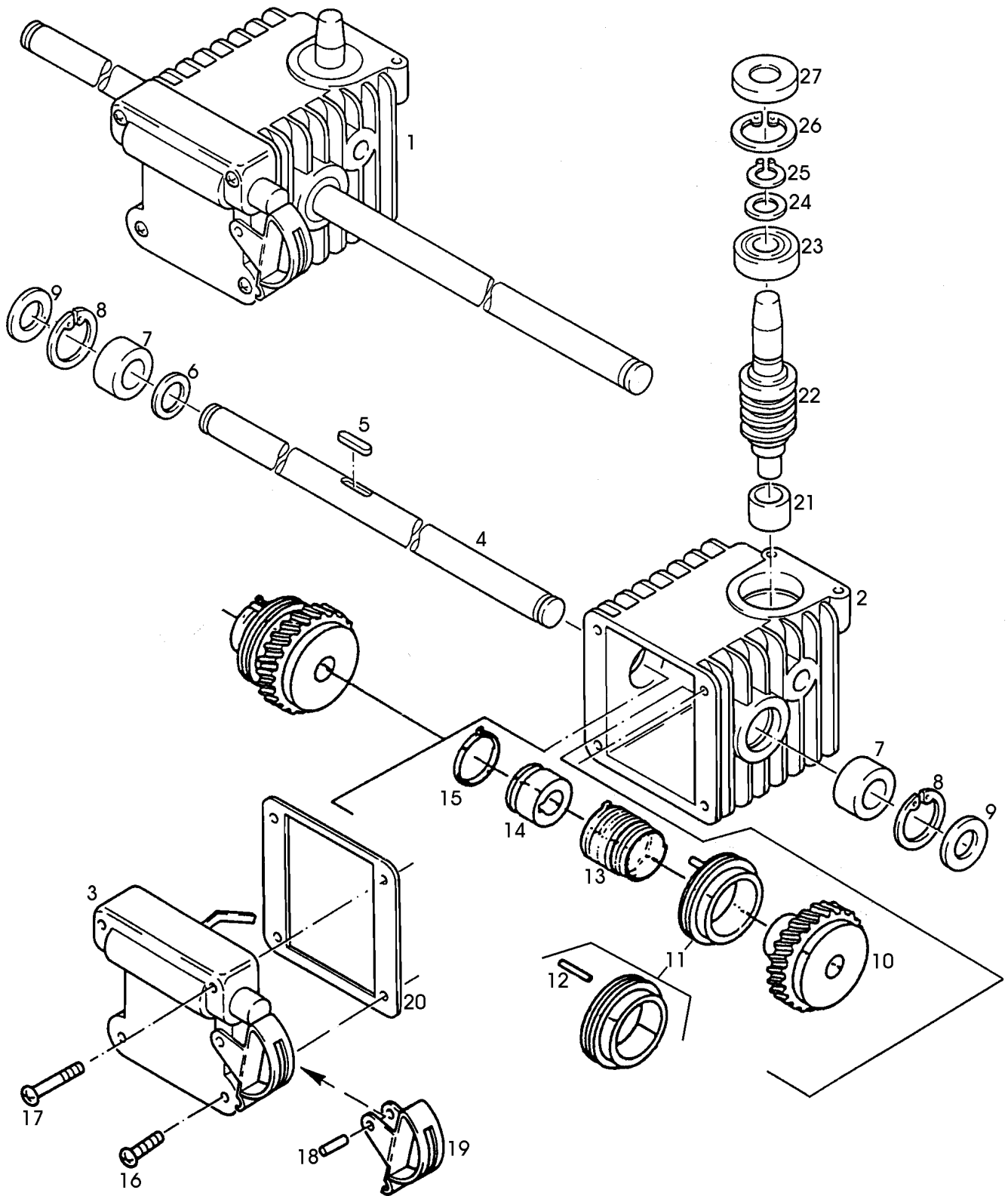
| TEIL | STCK.NR | BEZEICHNUNG | STCK. | SER-NR.- | -SER-NR. | BEMERKUNG |
|------|---------|-----------------|-------|----------|----------|--------------|
| 1 | SA37492 | GETRIEBE | 1 | | | |
| 2 | SA17676 | GEHÄUSE | 1 | | | |
| 3 | SA29810 | DECKEL | 1 | | | |
| 4 | SA16537 | ANTRIEBSWELLE | 1 | | | |
| 5 | SA15959 | KEIL | 1 | | | 5X5X16 |
| 6 | SA15699 | SCHEIBE | 1 | | | SS 14X20X1,5 |
| | SA15873 | DISTANZSCHEIBE | 1 | | | PS 14X20X0,5 |
| | SA15806 | SCHEIBE | AR | | | PS 14X20X0,1 |
| | SA15872 | DISTANZSCHEIBE | AR | | | PS 14X20X0,2 |
| | SA15871 | DISTANZSCHEIBE | AR | | | PS 14X20X0,3 |
| 7 | SA17689 | LAGER | 2 | | | |
| 8 | SA15740 | RING | 2 | | | J 22X1,0 |
| 9 | SA17698 | RADIALDICHTRING | 2 | | | |
| 10 | SA37525 | SCHNECKENRAD | 1 | | | |
| 11 | SA17682 | SCHALTMUFFE | 1 | | | 7MM |
| 12 | SA30329 | KERBSTIFT | 2 | | | 3X20 |
| 13 | SA17688 | FEDER | 1 | | | |
| 14 | SA30332 | MITNEHMER | 1 | | | |
| 15 | SA30333 | FEDER | 1 | | | |
| 16 | SA15386 | SCHRAUBE | 2 | | | M5X18 |
| 17 | SA15387 | SCHRAUBE | 2 | | | M5X28 |
| 18 | SA15820 | KERBSTIFT | 1 | | | 4X14 |
| 19 | SA17699 | GANGSCHALTHEBEL | 1 | | | |
| 20 | SA17675 | DICHTUNG | 1 | | | |
| 21 | SA17690 | LAGER | 1 | | | |
| 22 | SA37526 | FÖRDERSCHECKE | 1 | | | |
| 23 | ET16027 | KUGELLAGER | 1 | | | |
| 24 | SA34730 | KOLBENRING | 1 | | | A 12X1,5 |
| 25 | SA15005 | SPRENGRING | 1 | | | 28X1,2 |
| 26 | SA15006 | RADIALDICHTRING | 1 | | | 12X28X7 |
| | SA16341 | SCHLÜSSEL | 1 | | | |
| | SA37527 | ÖL | 1 | | | 120CCM |



SA002412



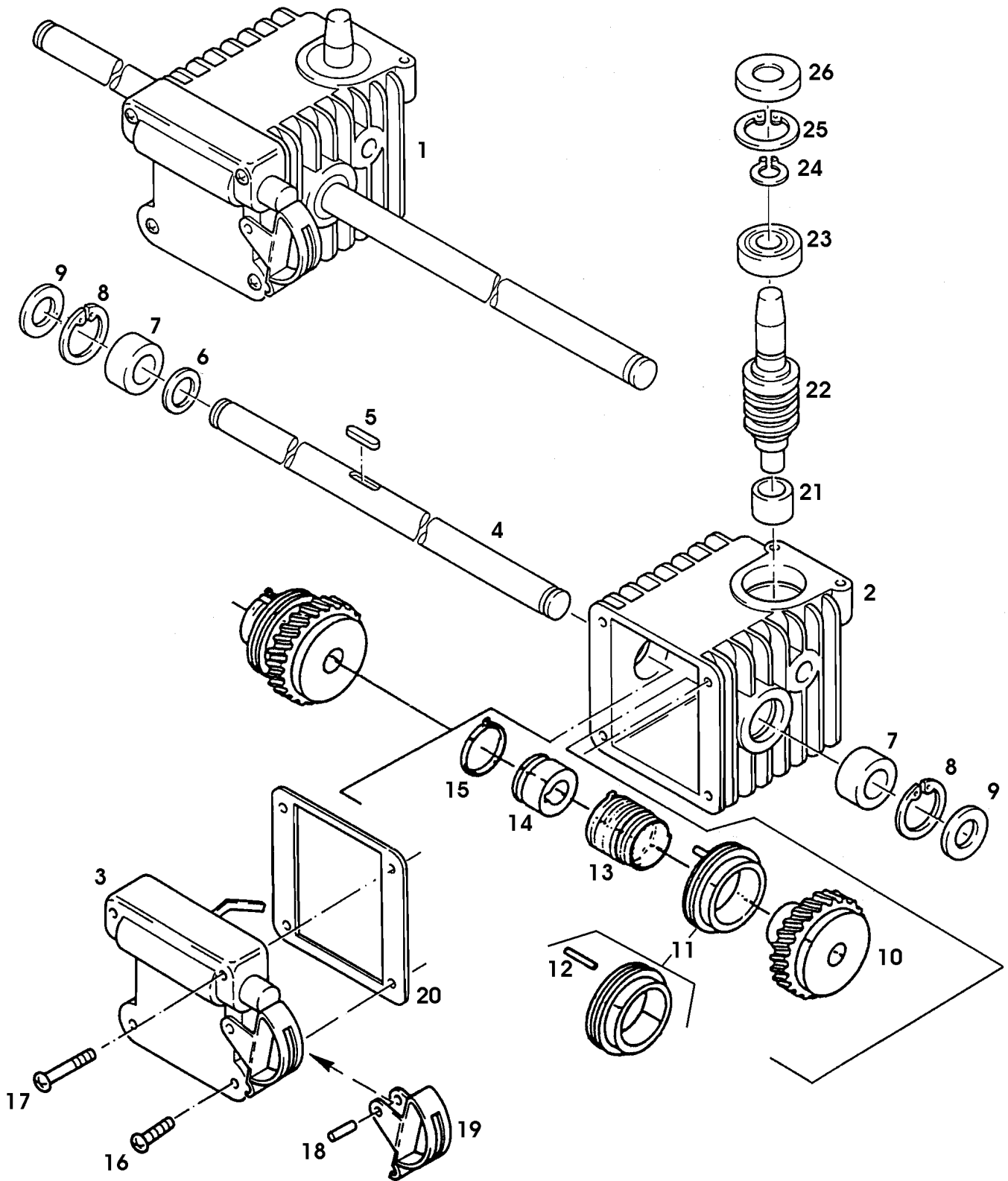
| TEIL | STCK.NR | BEZEICHNUNG | STCK. | SER-NR.- | -SER-NR. | BEMERKUNG |
|------|----------|-----------------|-------|----------|----------|--------------|
| 1 | SA37492 | GETRIEBE | 1 | | | |
| 2 | SA17676 | GEHÄUSE | 1 | | | |
| 3 | SA29810 | DECKEL | 1 | | | |
| 4 | SA16537 | ANTRIEBSWELLE | 1 | | | |
| 5 | SA15959 | KEIL | 1 | | | 5X5X16 |
| 6 | SA15699 | SCHEIBE | 1 | | | SS 14X20X1,5 |
| | SA15873 | DISTANZSCHEIBE | 1 | | | PS 14X20X0,5 |
| | SA15806 | SCHEIBE | AR | | | PS 14X20X0,1 |
| | SA15872 | DISTANZSCHEIBE | AR | | | PS 14X20X0,2 |
| | SA15871 | DISTANZSCHEIBE | AR | | | PS 14X20X0,3 |
| 7 | SA17689 | LAGER | 2 | | | |
| 8 | SA15740 | RING | 2 | | | J 22X1,0 |
| 9 | SA17698 | RADIALDICHTRING | 2 | | | |
| 10 | SA37525 | SCHNECKENRAD | 1 | | | |
| 11 | SA17682 | SCHALTMUFFE | 1 | | | 7MM |
| 12 | SA30329 | KERBSTIFT | 2 | | | 3X20 |
| 13 | SAU11812 | FEDER | 1 | | | |
| 14 | SA30332 | MITNEHMER | 1 | | | |
| 15 | SA30333 | FEDER | 1 | | | |
| 16 | SA15386 | SCHRAUBE | 2 | | | M5X18 |
| 17 | SA15387 | SCHRAUBE | 2 | | | M5X28 |
| 18 | SA15820 | KERBSTIFT | 1 | | | 4X14 |
| 19 | SA17699 | GANGSCHALTHEBEL | 1 | | | |
| 20 | SA17675 | DICHTUNG | 1 | | | |
| 21 | SA17690 | LAGER | 1 | | | |
| 22 | SA37526 | FÖRDERSCHECKE | 1 | | | |
| 23 | ET16027 | KUGELLAGER | 1 | | | |
| 24 | SA34730 | KOLBENRING | 1 | | | A 12X1,5 |
| 25 | SA15005 | SPRENGRING | 1 | | | 28X1,2 |
| 26 | SA15006 | RADIALDICHTRING | 1 | | | 12X28X7 |
| | SA16341 | SCHLÜSSEL | 1 | | | |
| | SA37527 | ÖL | 1 | | | 120CCM |



SA000998



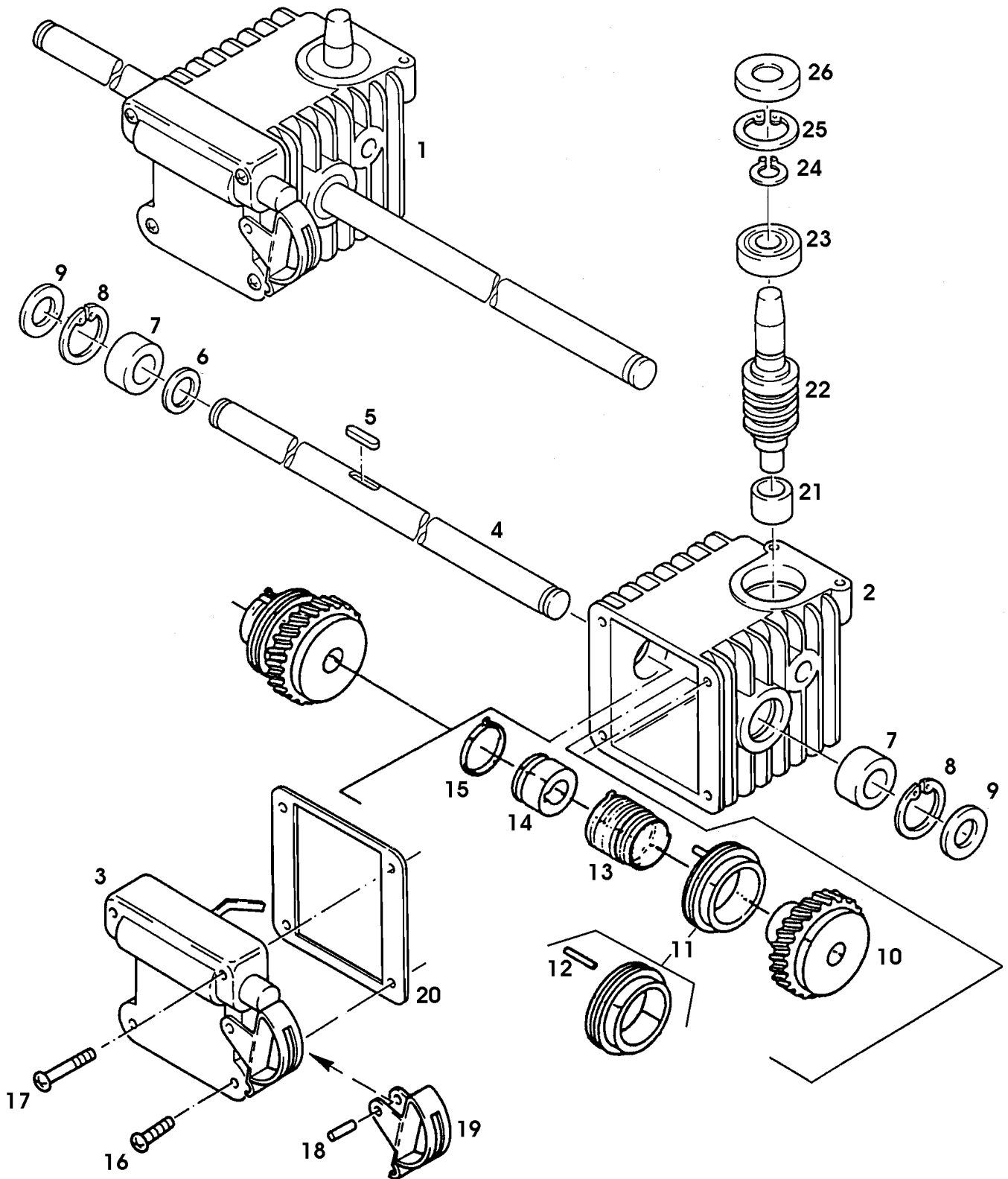
| TEIL | STCK.NR | BEZEICHNUNG | STCK. | SER-NR.- | -SER-NR. | BEMERKUNG |
|------|---------|-----------------|-------|----------|----------|--------------|
| 1 | SA34061 | GETRIEBE | 1 | | | |
| 2 | SA17676 | GEHÄUSE | 1 | | | |
| 3 | SA29810 | DECKEL | 1 | | | |
| 4 | SA16537 | ANTRIEBSWELLE | 1 | | | |
| 5 | SA15959 | KEIL | 1 | | | 5X5X16 |
| 6 | SA15699 | SCHEIBE | 1 | | | SS 14X20X1.5 |
| | SA15873 | DISTANZSCHEIBE | 1 | | | PS 14X20X0.5 |
| | SA15806 | SCHEIBE | AR | | | PS 14X20X0.1 |
| | SA15872 | DISTANZSCHEIBE | AR | | | PS 14X20X0.2 |
| | SA15871 | DISTANZSCHEIBE | AR | | | PS 14X20X0.3 |
| 7 | SA17689 | LAGER | 2 | | | |
| 8 | SA15740 | RING | 2 | | | J 22X1, 0 |
| 9 | SA17698 | RADIALDICHRING | 2 | | | |
| 10 | SA17679 | SCHNECKENRAD | 1 | | | |
| 11 | SA17682 | SCHALTMUFFE | 1 | | | 7MM |
| 12 | SA30329 | KERBSTIFT | 2 | | | 3X20 |
| 13 | SA17688 | FEDER | 1 | | | |
| 14 | SA30332 | MITNEHMER | 1 | | | |
| 15 | SA30333 | FEDER | 1 | | | |
| 16 | SA15386 | SCHRAUBE | 2 | | | M5X18 |
| 17 | SA15387 | SCHRAUBE | 2 | | | M5X28 |
| 18 | SA15820 | KERBSTIFT | 1 | | | 4X14 |
| 19 | SA17699 | GANGSCHALTHEBEL | 1 | | | |
| 20 | SA17675 | DICHTUNG | 1 | | | |
| 21 | SA17690 | LAGER | 1 | | | |
| 22 | SA17680 | FÖRDERSCHECKE | 1 | | | |
| 23 | SA18008 | KUGELLAGER | 1 | | | |
| 24 | SA15807 | SCHEIBE | 1 | | | 12X18X0.5 |
| 25 | SA16213 | SPRENGRING | 1 | | | A 12X1, 0 |
| 26 | SA15005 | SPRENGRING | 1 | | | 28X1, 2 |
| 27 | SA15006 | RADIALDICHRING | 1 | | | 12X28X7 |
| .. | SA15012 | ÖL | 1 | | | 80CCM |
| .. | SA16341 | SCHLÜSSEL | 1 | | | |



SA002412



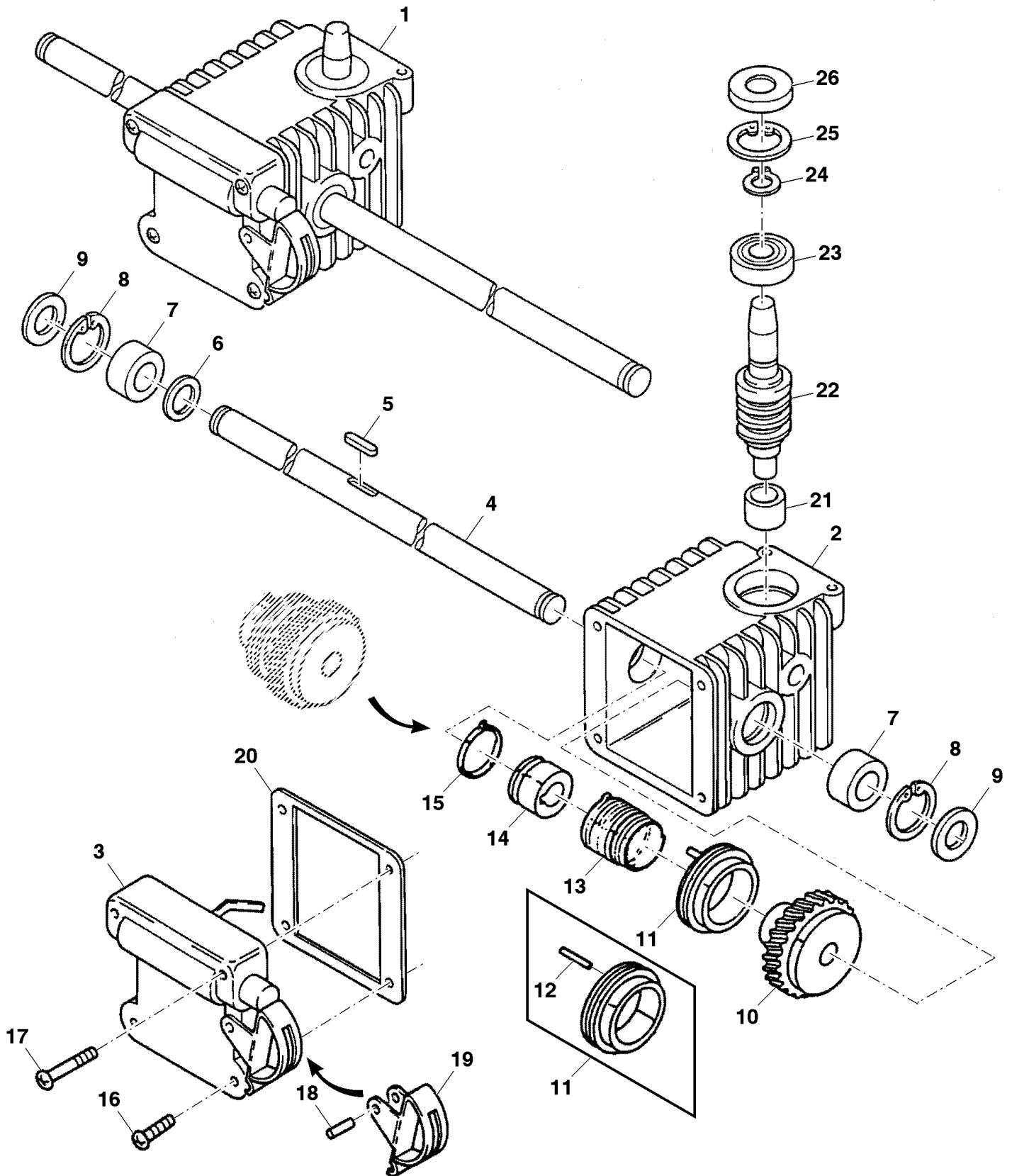
| TEIL | STCK.NR | BEZEICHNUNG | STCK. | SER-NR.- | -SER-NR. | BEMERKUNG |
|------|---------|-----------------|-------|----------|----------|--------------|
| 1 | SA37492 | GETRIEBE | 1 | | | |
| 2 | SA17676 | GEHÄUSE | 1 | | | |
| 3 | SA29810 | DECKEL | 1 | | | |
| 4 | SA16537 | ANTRIEBSWELLE | 1 | | | |
| 5 | SA15959 | KEIL | 1 | | | 5X5X16 |
| 6 | SA15699 | SCHEIBE | 1 | | | SS 14X20X1.5 |
| | SA15873 | DISTANZSCHEIBE | 1 | | | PS 14X20X0.5 |
| | SA15806 | SCHEIBE | AR | | | PS 14X20X0.1 |
| | SA15872 | DISTANZSCHEIBE | AR | | | PS 14X20X0.2 |
| | SA15871 | DISTANZSCHEIBE | AR | | | PS 14X20X0.3 |
| 7 | SA17689 | LAGER | 2 | | | |
| 8 | SA15740 | RING | 2 | | | J 22X1, 0 |
| 9 | SA17698 | RADIALDICHTRING | 2 | | | |
| 10 | SA37525 | SCHNECKENRAD | 1 | | | |
| 11 | SA17682 | SCHALTMUFFE | 1 | | | 7MM |
| 12 | SA30329 | KERBSTIFT | 2 | | | 3X20 |
| 13 | SA17688 | FEDER | 1 | | | |
| 14 | SA30332 | MITNEHMER | 1 | | | |
| 15 | SA30333 | FEDER | 1 | | | |
| 16 | SA15386 | SCHRAUBE | 2 | | | M5X18 |
| 17 | SA15387 | SCHRAUBE | 2 | | | M5X28 |
| 18 | SA15820 | KERBSTIFT | 1 | | | 4X14 |
| 19 | SA17699 | GANGSCHALTHEBEL | 1 | | | |
| 20 | SA17675 | DICHTUNG | 1 | | | |
| 21 | SA17690 | LAGER | 1 | | | |
| 22 | SA37526 | FÖRDERSCHECKE | 1 | | | |
| 23 | ET16027 | KUGELLAGER | 1 | | | |
| 24 | SA34730 | KOLBENRING | 1 | | | A 12X1, 5 |
| 25 | SA15005 | SPRENGRING | 1 | | | 28X1, 2 |
| 26 | SA15006 | RADIALDICHTRING | 1 | | | 12X28X7 |
| | SA16341 | SCHLÜSSEL | 1 | | | |
| | SA37527 | ÖL | 1 | | | 120CCM |



SA002412



| TEIL | STCK.NR | BEZEICHNUNG | STCK. | SER-NR.- | -SER-NR. | BEMERKUNG |
|------|----------|-----------------|-------|----------|----------|---------------------------|
| 1 | SAU11810 | GETRIEBE | 1 | | | ASSY; NLA; ORDER SAU12811 |
| 2 | SA17676 | GEHÄUSE | 1 | | | |
| 3 | SA29810 | DECKEL | 1 | | | |
| 4 | SA16537 | ANTRIEBSWELLE | 1 | | | |
| 5 | SA15959 | KEIL | 1 | | | 5X5X16 |
| 6 | SA15699 | SCHEIBE | 1 | | | SS 14X20X1.5 |
| | SA15873 | DISTANZSCHEIBE | 1 | | | PS 14X20X0.5 |
| | SA15806 | SCHEIBE | AR | | | PS 14X20X0.1 |
| | SA15872 | DISTANZSCHEIBE | AR | | | PS 14X20X0.2 |
| | SA15871 | DISTANZSCHEIBE | AR | | | PS 14X20X0.3 |
| 7 | SA17689 | LAGER | 2 | | | |
| 8 | SA15740 | RING | 2 | | | J 22X1, 0 |
| 9 | SA17698 | RADIALDICHTRING | 2 | | | |
| 10 | SA37525 | SCHNECKENRAD | 1 | | | NLA; ORDER SAU12809 |
| 11 | SA17682 | SCHALTMUFFE | 1 | | | 7MM |
| 12 | SA30329 | KERBSTIFT | 2 | | | 3X20 |
| 13 | SAU11812 | FEDER | 1 | | | |
| 14 | SA30332 | MITNEHMER | 1 | | | |
| 15 | SA30333 | FEDER | 1 | | | |
| 16 | SA15386 | SCHRAUBE | 2 | | | M5X18 |
| 17 | SA15387 | SCHRAUBE | 2 | | | M5X28 |
| 18 | SA15820 | KERBSTIFT | 1 | | | 4X14 |
| 19 | SA17699 | GANGSCHALTHEBEL | 1 | | | |
| 20 | SA17675 | DICHTUNG | 1 | | | |
| 21 | SA17690 | LAGER | 1 | | | |
| 22 | SA37526 | FÖRDERSCHECKE | 1 | | | |
| 23 | ET16027 | KUGELLAGER | 1 | | | |
| 24 | SA34730 | KOLBENRING | 1 | | | A 12X1, 5 |
| 25 | SA15005 | SPRENGRING | 1 | | | 28X1, 2 |
| 26 | SA15006 | RADIALDICHTRING | 1 | | | 12X28X7 |
| | SA16341 | SCHLÜSSEL | 1 | | | |
| | SA37527 | ÖL | 1 | | | 120CCM |



PU05996

SABO-Maschinenfabrik GmbH
 A John Deere Company
 Telefon +49 (0) 2261 704-0
 Telefax +49 (0) 2261 704-104
 www.sabo-online.com

Auf dem Höchsten 22
 D-51645 Gummersbach.
 Dieringhausen

JP Morgan AG
 SWIFT/BIC CHASDEFX
 IBAN DE67 5011 0800 6161 5043 26

WEEE-Reg.-Nr.: DE 15991147
 USt-ID-Nr.: DE 123 371 884
 Geschäftsführer:
 Christoph Büscher
 Amtsgericht Köln HRB 39054



| TEIL | STCK.NR | BEZEICHNUNG | STCK. | SER-NR.- | -SER-NR. | BEMERKUNG |
|------|----------|-----------------|-------|----------|----------|--------------|
| 1 | SAU12811 | GETRIEBE | 1 | | | |
| 2 | SA17676 | GEHÄUSE | 1 | | | |
| 3 | SA29810 | DECKEL | 1 | | | |
| 4 | SA16537 | ANTRIEBSWELLE | 1 | | | |
| 5 | SA15959 | KEIL | 1 | | | 5X5X16 |
| 6 | SA15699 | SCHEIBE | 1 | | | SS 14X20X1,5 |
| | SA15873 | DISTANZSCHEIBE | 1 | | | PS 14X20X0,5 |
| | SA15806 | SCHEIBE | AR | | | PS 14X20X0,1 |
| | SA15872 | DISTANZSCHEIBE | AR | | | PS 14X20X0,2 |
| | SA15871 | DISTANZSCHEIBE | AR | | | PS 14X20X0,3 |
| 7 | SA17689 | LAGER | 2 | | | |
| 8 | SA15740 | RING | 2 | | | J 22X1,0 |
| 9 | SA17698 | RADIALDICHTRING | 2 | | | |
| 10 | SAU12809 | SCHNECKENRAD | 1 | | | |
| 11 | SA17682 | SCHALTMUFFE | 1 | | | 7MM |
| 12 | SA30329 | KERBSTIFT | 2 | | | 3X20 |
| 13 | SAU11812 | FEDER | 1 | | | |
| 14 | SA30332 | MITNEHMER | 1 | | | |
| 15 | SA30333 | FEDER | 1 | | | |
| 16 | SA15386 | SCHRAUBE | 2 | | | M5X18 |
| 17 | SA15387 | SCHRAUBE | 2 | | | M5X28 |
| 18 | SA15820 | KERBSTIFT | 1 | | | 4X14 |
| 19 | SA17699 | GANGSCHALTHEBEL | 1 | | | |
| 20 | SA17675 | DICHTUNG | 1 | | | |
| 21 | SA17690 | LAGER | 1 | | | |
| 22 | SA37526 | FÖRDERSCHNECKE | 1 | | | |
| 23 | ET16027 | KUGELLAGER | 1 | | | |
| 24 | SA34730 | KOLBENRING | 1 | | | A 12X1,5 |
| 25 | SA15005 | SPRENGRING | 1 | | | 28X1,2 |
| 26 | SA15006 | RADIALDICHTRING | 1 | | | 12X28X7 |
| | SA16341 | SCHLÜSSEL | 1 | | | |
| | SA37527 | ÖL | | | | 120 CCM |