

This catalog covers:  
**FJ180V-□S72**

GRID NO. This grid covers:  
**A-01** TITLE

# PARTS CATALOG

## 4-STROKE ENGINE

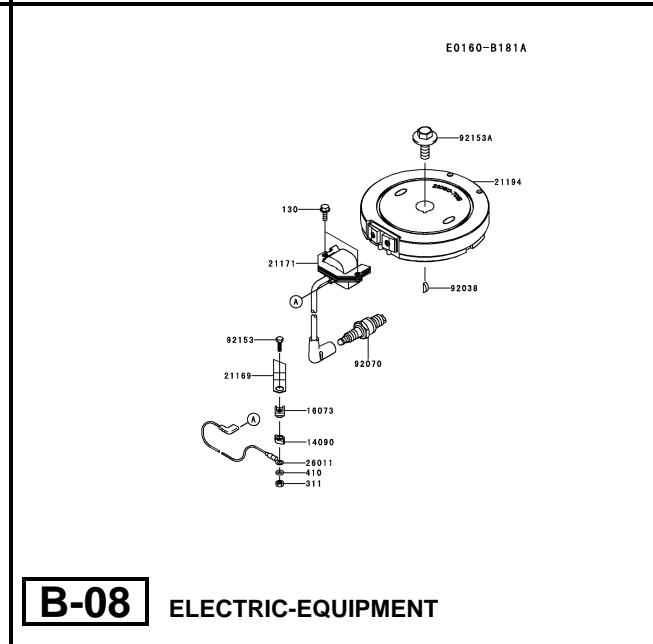
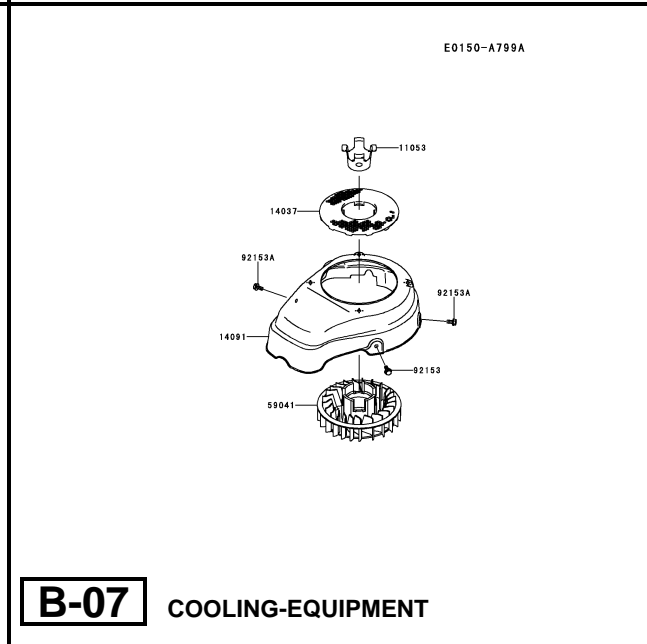
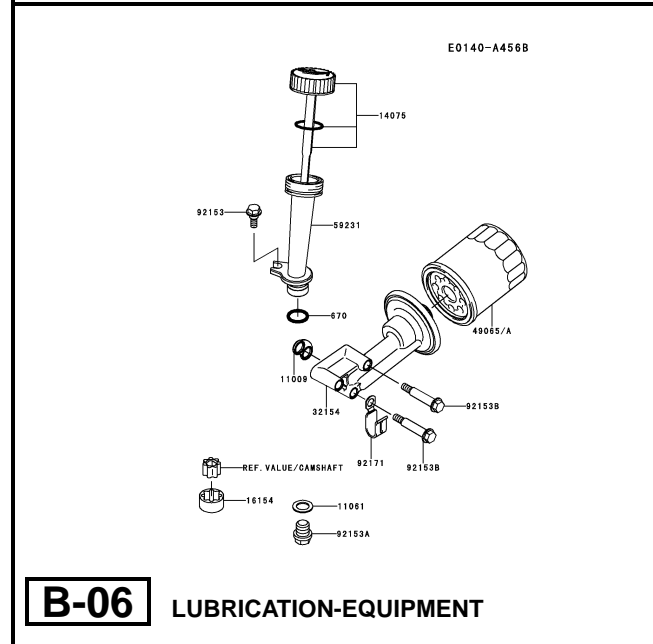
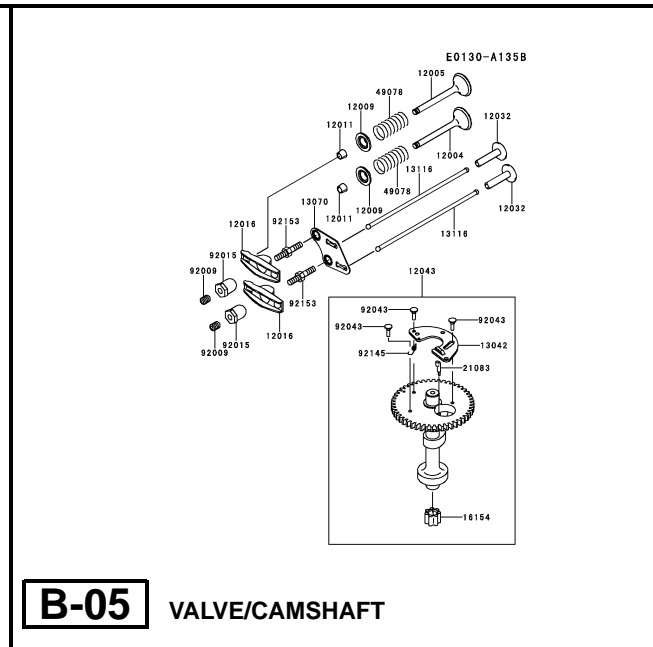
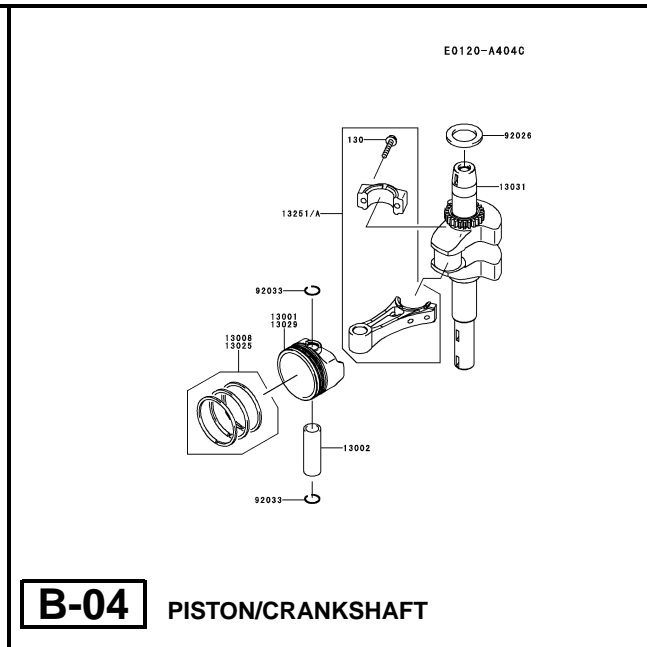
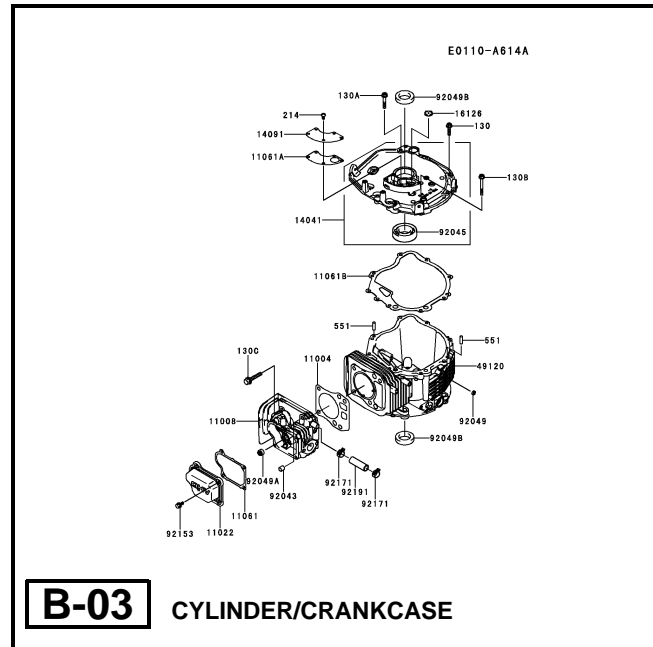
### FJ180V

PRODUCT CODE	NOTE
FJ180V-AS72	STD
	(WBM)



This catalog covers:  
**FJ180V- □ S72**

GRID NO. This grid covers:  
**B-01 PICTORIAL INDEX**



This catalog covers:

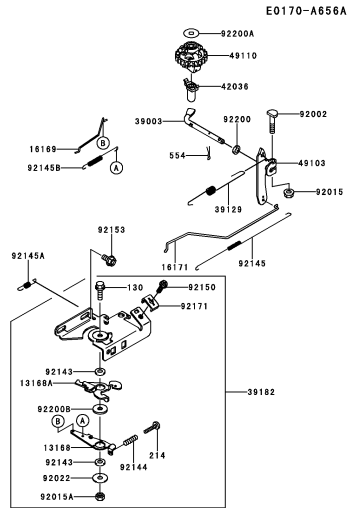
FJ180V- □ S72

GRID NO.

**B-02**

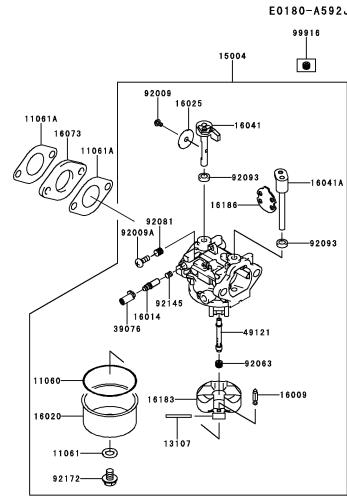
This grid covers:

**PICTORIAL INDEX**



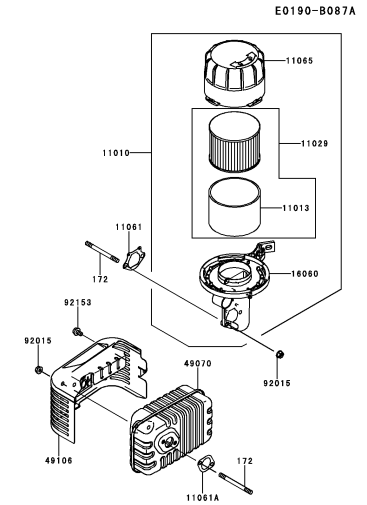
**B-09**

CONTROL-EQUIPMENT



**B-10**

CARBURETOR



**B-11**

AIR-FILTER/MUFFLER

This catalog covers:

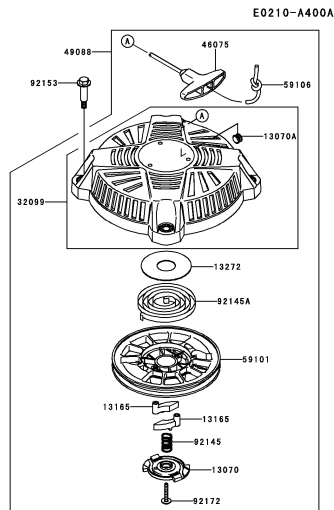
FJ180V- □ S72

GRID NO.

C-01

This grid covers:

PICTORIAL INDEX



C-03

STARTER

This catalog covers:

**FJ180V- □ S72**

GRID NO.

**D-01**

This grid covers:

**PICTORIAL INDEX**

F0290-B050A

56070



**D-03**

LABEL

This catalog covers:

**FJ180V- □ S72**

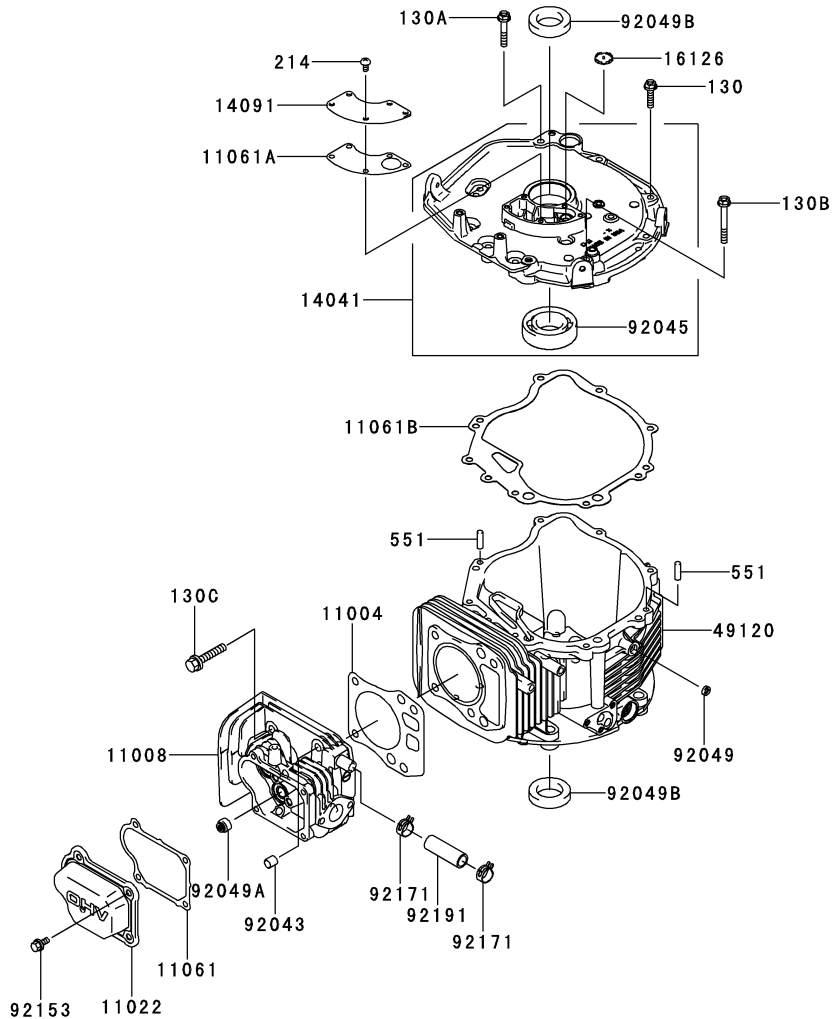
GRID NO.

**B-03**

This grid covers:

**CYLINDER/CRANKCASE**

E0110-A614A



Ref. No.	Part No.	Description	Quantity
11004	11004-7020	GASKET-HEAD	1
11008	11008-7025	HEAD-COMP-CYLINDER	1
11022	11022-7021	CASE-ROCKER	1
11061	11061-7023	GASKET,CASE ROCKER	1
11061A	11061-7031	GASKET,BREATHER	1
11061B	11061-7060	GASKET,COVER-CRANKCASE	1
14041	14041-7010	COVER-COMP	1
14091	14091-7010	COVER,BREATHER	1
16126	16126-7014	VALVE,BREATHER	1
49120	49120-7100	CRANKCASE-COMP	1
92043	92043-7001	PIN	2
92045	92045-1207	BEARING-BALL,62/28	1
92049	92049-2097	SEAL-OIL,VC6X10X2.5	1
92049A	92049-7001	SEAL-OIL,RVC2 6X11X10.2	1
92049B	92049-7008	SEAL-OIL,28-44-9 TC	2
92153	92153-7043	BOLT,6X12	4
92171	92171-7024	CLAMP	2
92191	92191-7025	TUBE,12X16X49	1
130	130BA0625	BOLT-FLANGED,6X25	7
130A	130BA0635	BOLT-FLANGED,6X35	1
130B	130BA0650	BOLT-FLANGED,6X50	1
130C	130CA0840	BOLT-FLANGED,8X40	4
214	214AA0510	SCREW-PAN+,-,5X10	5
551	551A0612	PIN-DOWEL,6X12	2

This catalog covers:

**FJ180V- □ S72**

GRID NO.

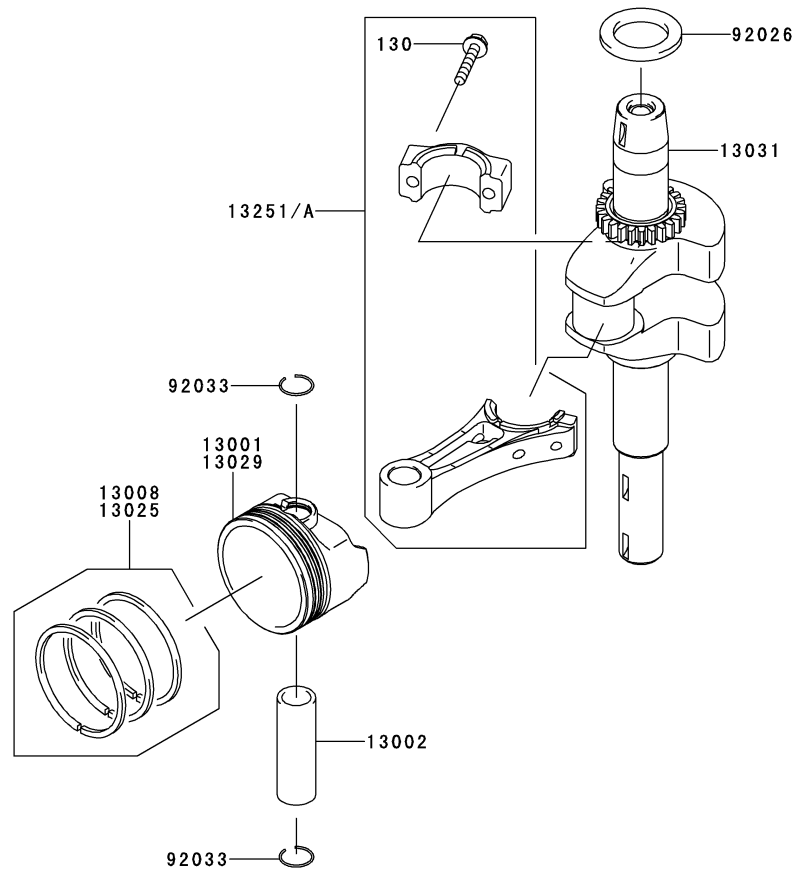
**B-04**

This grid covers:

**PISTON/CRANKSHAFT**

E0120-A404C

Ref. No.	Part No.	Description	Quantity
13001	13001-7023	PISTON-ENGINE	1
13002	13002-7001	PIN-PISTON	1
13008	13008-7002	RING-SET-PISTON	1
13025	13025-7006	RING-SET-PISTON L,0.50	AR
13029	13029-7005	PISTON-ENGINE L,0.50	AR
13031	13031-7065	CRANKSHAFT-COMP	1
13251	13251-7011	ROD-ASSY-CONNECTING	*
13251A	13251-7024	ROD-ASSY-CONNECTING	1
92026	92026-7020	SPACER	1
92033	92033-7002	RING-SNAP	2
130	130BA0630	BOLT-FLANGED,6X30	2





This catalog covers:

**FJ180V- □ S72**

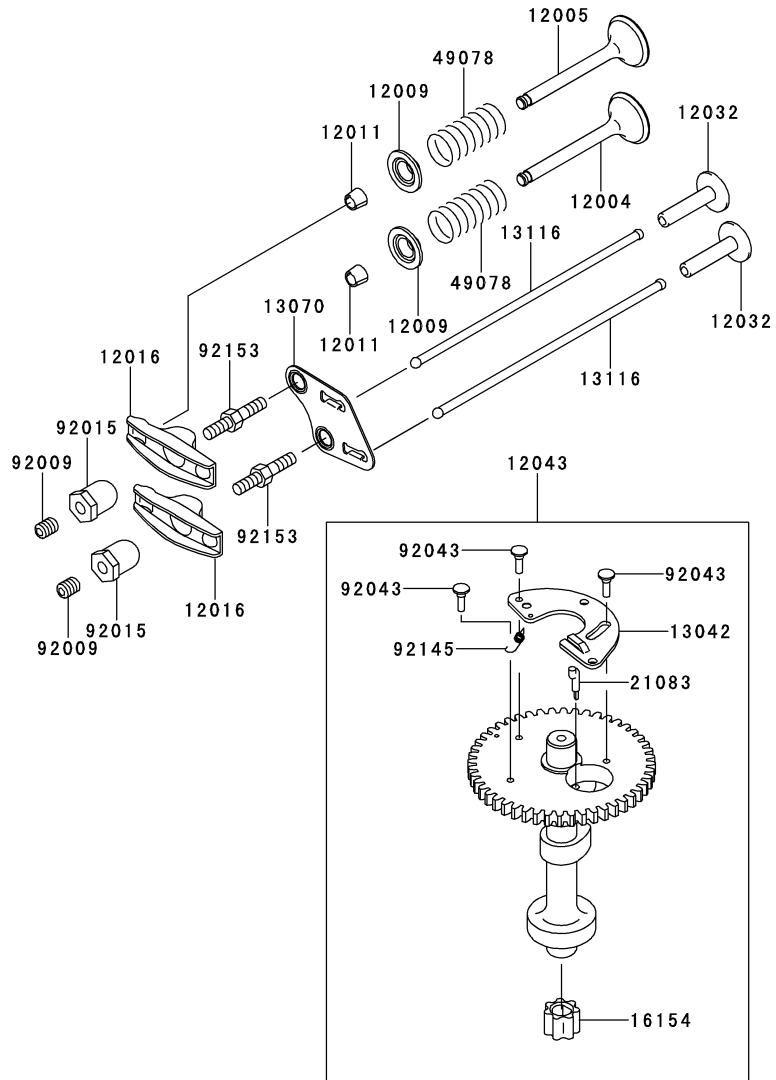
GRID NO.

**B-05**

This grid covers:

**VALVE/CAMSHAFT**

E0130-A135B



Ref. No.	Part No.	Description	Quantity
		A	
12004	12004-7005	VALVE-INTAKE	1
12005	12005-7006	VALVE-EXHAUST	1
12009	12009-7001	RETAINER-VALVE SPRING	2
12011	12011-2056	COLLET	4
12016	12016-7008	ARM-ROCKER	2
12032	12032-7001	TAPPET	2
12043	12043-7005	CAMSHAFT-ASSY-VALVE	1
13042	13042-7006	WEIGHT	1
13070	13070-7009	GUIDE	1
13116	13116-7003	ROD-PUSH	2
16154	16154-7004	ROTOR-PUMP	1
21083	21083-7009	ARM	1
49078	49078-7001	SPRING-ENGINE VALVE	2
92009	92009-2341	SCREW	2
92015	92015-2253	NUT	2
92043	92043-7006	PIN	3
92145	92145-7016	SPRING	1
92153	92153-7019	BOLT	2

This catalog covers:

**FJ180V- □ S72**

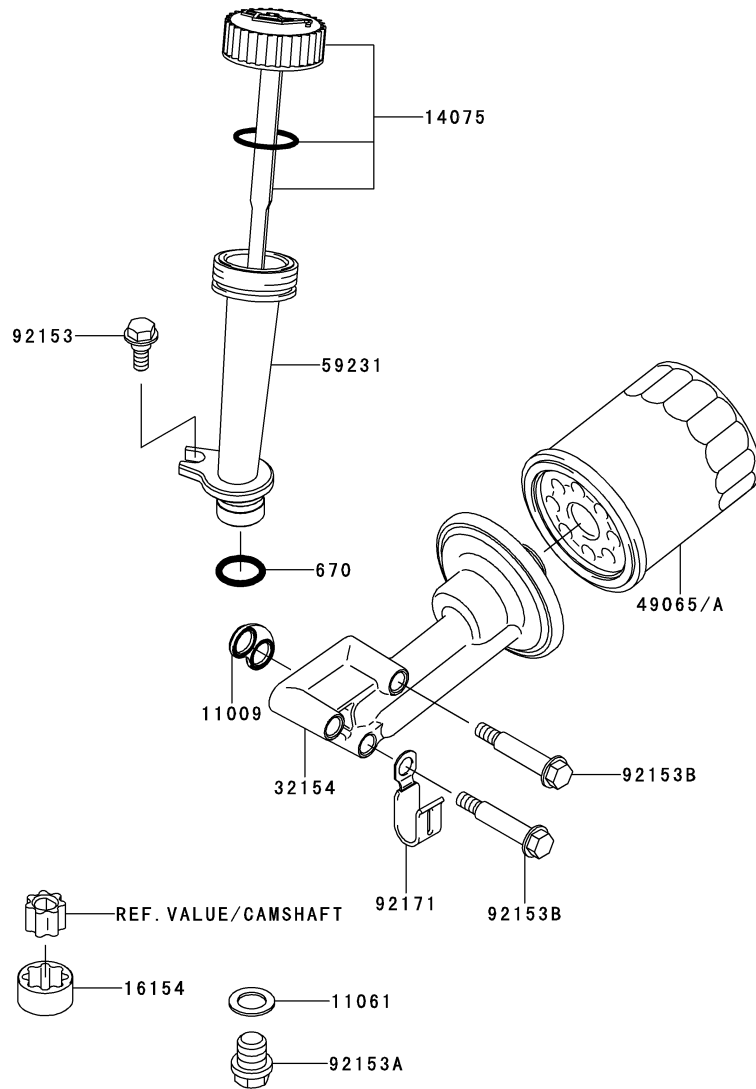
GRID NO.

**B-06**

This grid covers:

**LUBRICATION-EQUIPMENT**

E0140-A456B



Ref. No.	Part No.	Description	Quantity
			A
11009	11009-2860	GASKET	1
11061	11061-7030	GASKET,12X19X1.27	1
14075	14075-7007	CAP-ASSY	1
16154	16154-7002	ROTOR-PUMP	1
32154	32154-7018	PIPE	1
49065	49065-2078	FILTER-OIL	*
49065A	49065-7010	FILTER-OIL	1
59231	59231-7004	FILLER	1
92153	92153-7007	BOLT	1
92153A	92153-7016	BOLT,12X12	1
92153B	92153-7028	BOLT	3
92171	92171-7008	CLAMP	1
670	670D2016	O RING,16MM	1

This catalog covers:

FJ180V- □ S72

GRID NO.

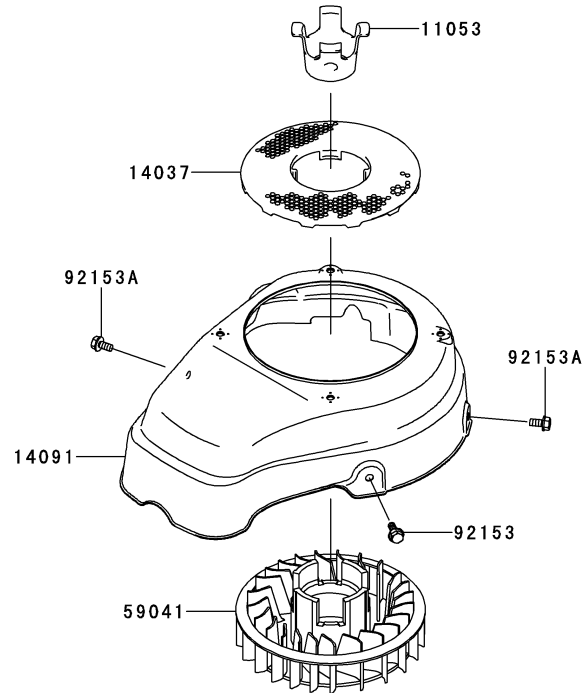
**B-07**

This grid covers:

**COOLING-EQUIPMENT**

E0150-A799A

Ref. No.	Part No.	Description	Quantity
11053	11053-7009	BRACKET,FAN	1
14037	14037-7017	SCREEN	1
14091	14091-7053	COVER	1
59041	59041-7009	FAN	1
92153	92153-7007	BOLT	1
92153A	92153-7043	BOLT,6X12	2







This catalog covers:

**FJ180V- □ S72**

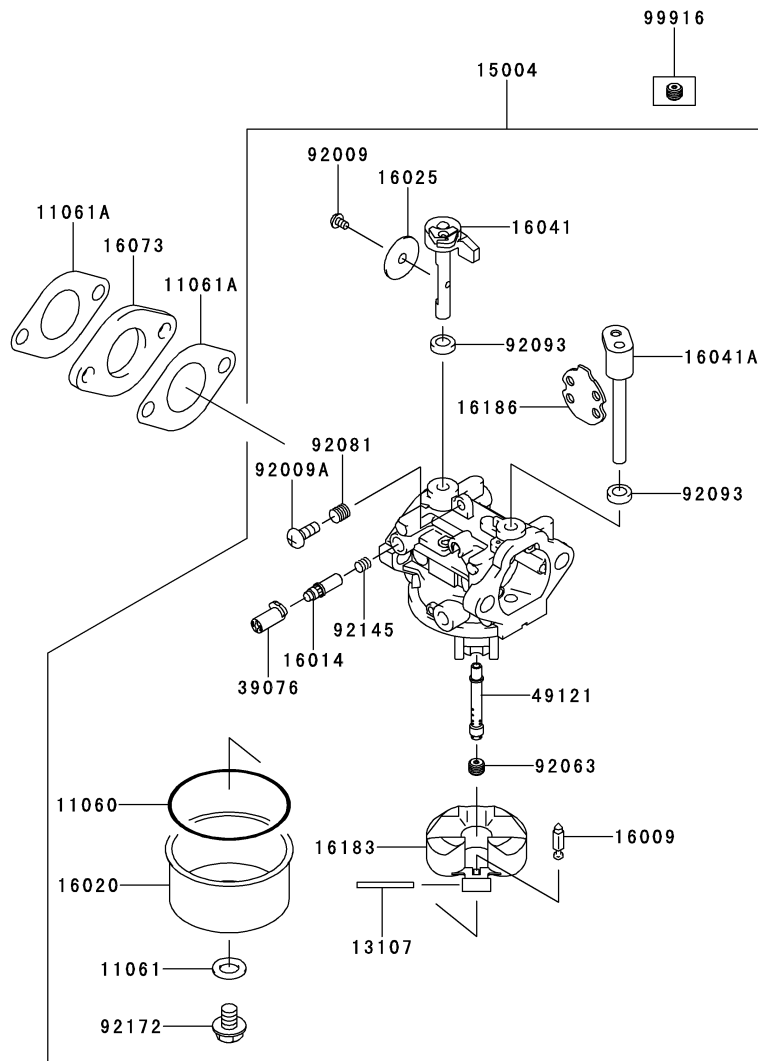
GRID NO.

**B-10**

This grid covers:

**CARBURETOR**

E0180-A592J



Ref. No.	Part No.	Description	Quantity
			A
11060	11060-2190	GASKET	1
11061	11061-7010	GASKET,SCREW	1
11061A	11061-7015	GASKET,INSULATOR	2
13107	13107-7024	SHAFT	1
15004	15004-7076	CARBURETOR-ASSY	1
16009	16009-2136	NEEDLE-JET	1
16014	16014-7008	SCREW-PILOT AIR	1
16020	16020-7004	CHAMBER-FLOAT	1
16025	16025-7007	VALVE-THROTTLE	1
16041	16041-7019	SHAFT-CARBURETOR	1
16041A	16041-7020	SHAFT-CARBURETOR	1
16073	16073-7006	INSULATOR	1
16183	16183-2002	FLOAT-ASSY	1
16186	16186-7003	VALVE-ASSY-CHOKE	1
39076	39076-7001	LIMITER	1
49121	49121-7008	NOZZLE-MAIN	1
92009	92009-2083	SCREW	1
92009A	92009-2349	SCREW	1
92063	92063-7050	JET-MAIN,#72	1
92081	92081-2234	SPRING	1
92093	92093-2100	SEAL	2
92145	92145-7015	SPRING	1
92172	92172-7002	SCREW	1
99916	99916-7009	KIT,JET-MAIN,#68,#66	1

This catalog covers:

**FJ180V- □ S72**

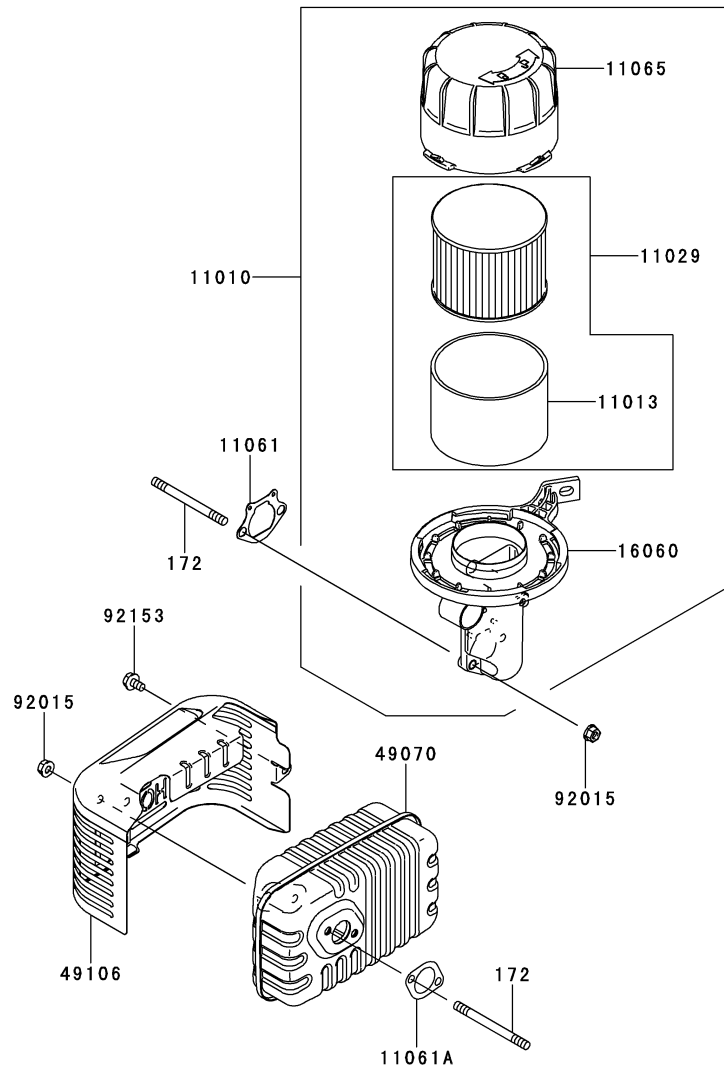
GRID NO.

**B-11**

This grid covers:

**AIR-FILTER/MUFFLER**

E0190-B087A

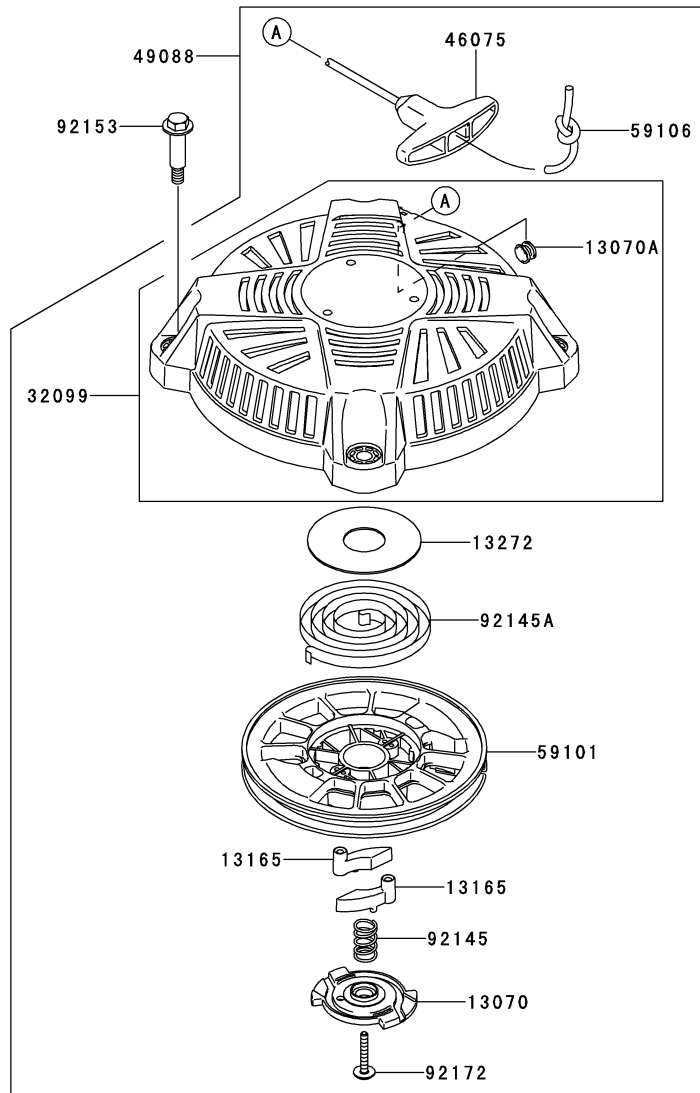


Ref. No.	Part No.	Description	Quantity
11010	11010-7024	FILTER-ASSY-AIR	1
11013	11013-7037	ELEMENT-AIR FILTER	1
11029	11029-7023	ELEMENT-ASSY-AIR FILTER	1
11061	11061-7012	GASKET,PIPE INTAKE	1
11061A	11061-7029	GASKET,MUFFLER	1
11065	11065-7019	CAP	1
16060	16060-7031	PIPE-INTAKE	1
49070	49070-7022	MUFFLER-COMP	1
49106	49106-7021	COVER-MUFFLER	1
92015	92015-1367	NUT	4
92153	92153-7023	BOLT,6X10	1
172	172BA0680	BOLT-STUD,6X80	4

This catalog covers:  
**FJ180V- □ S72**

GRID NO. This grid covers:  
**C-03 STARTER**

E0210-A400A



Ref. No.	Part No.	Description	Quantity
13070	13070-7014	GUIDE	1
13070A	13070-7015	GUIDE	1
13165	13165-7002	PAWL,STARTER-RECOIL	2
13272	13272-7001	PLATE	1
32099	32099-7004	CASE,STARTER-RECOIL	1
46075	46075-7002	GRIP	1
49088	49088-7027	STARTER-RECOIL	1
59101	59101-7002	REEL,STARTER-RECOIL	1
59106	59106-7003	ROPE,2200MM	1
92145	92145-7052	SPRING	1
92145A	92145-7054	SPRING	1
92153	92153-7021	BOLT,M6	4
92172	92172-7030	SCREW	1



This catalog covers:

**FJ180V- □ S72**

GRID NO.

**D-03**

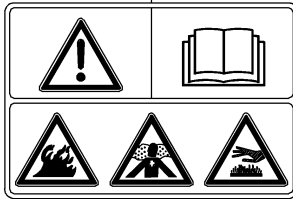
This grid covers:

**LABEL**

F0290-B050A

Ref. No.	Part No.	Description	Quantity
56070	56070-2021	LABEL-WARNING	1

56070



This catalog covers:

**FJ180V- □ S72**

GRID NO.

**H-09**

This grid covers:

---

## PART NAME INDEX

AIR-FILTER/MUFFLER.....	B-11
CARBURETOR.....	B-10
CONTROL-EQUIPMENT.....	B-09
COOLING-EQUIPMENT.....	B-07
CYLINDER/CRANKCASE.....	B-03
ELECTRIC-EQUIPMENT.....	B-08
LABEL.....	D-03
LUBRICATION-EQUIPMENT.....	B-06
PISTON/CRANKSHAFT.....	B-04
STARTER.....	C-03
VALVE/CAMSHAFT.....	B-05

This catalog covers:

**FJ180V- □ S72**

GRID NO.

**H-10**

This grid covers:

**NUMERICAL PARTS INDEX**

Part No.	Grid No.	Part No.	Grid No.	Part No.	Grid No.	Part No.	Grid No.	Part No.	Grid No.
11004-7020.....	B-03	16025-7007.....	B-10	92038-2077.....	B-08				
11008-7025.....	B-03	16041-7019.....	B-10	92043-7001.....	B-03				
11009-2860.....	B-06	16041-7020.....	B-10	92043-7006.....	B-05				
11010-7024.....	B-11	16060-7031.....	B-11	92045-1207.....	B-03				
11013-7037.....	B-11	16073-2192.....	B-08	92049-2097.....	B-03				
11022-7021.....	B-03	16073-7006.....	B-10	92049-7001.....	B-03				
11029-7023.....	B-11	16126-7014.....	B-03	92049-7008.....	B-03				
11053-7009.....	B-07	16154-7002.....	B-06	92063-7050.....	B-10				
11060-2190.....	B-10	16154-7004.....	B-05	92070-2088.....	B-08				
11061-7010.....	B-10	16169-7015.....	B-09	92081-2234.....	B-10				
11061-7012.....	B-11	16171-7015.....	B-09	92093-2100.....	B-10				
11061-7015.....	B-10	16183-2002.....	B-10	92143-2135.....	B-09				
11061-7023.....	B-03	16186-7003.....	B-10	92144-2266.....	B-09				
11061-7029.....	B-11	172BA0680.....	B-11	92145-7015.....	B-10				
11061-7030.....	B-06	21083-7009.....	B-05	92145-7016.....	B-05				
11061-7031.....	B-03	21169-2071.....	B-08	92145-7025.....	B-09				
11061-7060.....	B-03	21171-7030.....	B-08	92145-7032.....	B-09				
11065-7019.....	B-11	21194-7024.....	B-08	92145-7043.....	B-09				
12004-7005.....	B-05	214AA0420.....	B-09	92145-7052.....	C-03				
12005-7006.....	B-05	214AA0510.....	B-03	92145-7054.....	C-03				
12009-7001.....	B-05	26011-7013.....	B-08	92150-2182.....	B-09				
12011-2056.....	B-05	311AA0400.....	B-08	92153-7007.....	B-06				
12016-7008.....	B-05	32099-7004.....	C-03	92153-7007.....	B-07				
12032-7001.....	B-05	32154-7018.....	B-06	92153-7012.....	B-08				
12043-7005.....	B-05	39003-7002.....	B-09	92153-7016.....	B-06				
13001-7023.....	B-04	39076-7001.....	B-10	92153-7019.....	B-05				
13002-7001.....	B-04	39129-7023.....	B-09	92153-7021.....	C-03				
13008-7002.....	B-04	39182-7011.....	B-09	92153-7023.....	B-11				
13025-7006.....	B-04	410AA0400.....	B-08	92153-7028.....	B-06				
13029-7005.....	B-04	42036-2051.....	B-09	92153-7030.....	B-08				
13031-7065.....	B-04	46075-7002.....	C-03	92153-7043.....	B-03				
13042-7006.....	B-05	49065-2078.....	B-06	92153-7043.....	B-07				
13070-7009.....	B-05	49065-7010.....	B-06	92153-7043.....	B-09				
13070-7014.....	C-03	49070-7022.....	B-11	92171-7008.....	B-06				
13070-7015.....	C-03	49078-7001.....	B-05	92171-7016.....	B-09				
130AA0618.....	B-09	49088-7027.....	C-03	92171-7024.....	B-03				
130AA0620.....	B-08	49103-7016.....	B-09	92172-7002.....	B-10				
130BA0625.....	B-03	49106-7021.....	B-11	92172-7030.....	C-03				
130BA0630.....	B-04	49110-7002.....	B-09	92191-7025.....	B-03				
130BA0635.....	B-03	49120-7100.....	B-03	92200-2029.....	B-09				
130BA0650.....	B-03	49121-7008.....	B-10	92200-2036.....	B-09				
130CA0840.....	B-03	551A0612.....	B-03	92200-7047.....	B-09				
13107-7024.....	B-10	554DA0600.....	B-09	99916-7009.....	B-10				
13116-7003.....	B-05	56070-2021.....	D-03						
13165-7002.....	C-03	59041-7009.....	B-07						
13168-7028.....	B-09	59101-7002.....	C-03						
13168-7032.....	B-09	59106-7003.....	C-03						
13251-7011.....	B-04	59231-7004.....	B-06						
13251-7024.....	B-04	670D2016.....	B-06						
13272-7001.....	C-03	92002-2269.....	B-09						
14037-7017.....	B-07	92009-2083.....	B-10						
14041-7010.....	B-03	92009-2341.....	B-05						
14075-7007.....	B-06	92009-2349.....	B-10						
14090-2108.....	B-08	92015-1367.....	B-09						
14091-7010.....	B-03	92015-1367.....	B-11						
14091-7053.....	B-07	92015-2051.....	B-09						
15004-7076.....	B-10	92015-2253.....	B-05						
16009-2136.....	B-10	92022-2372.....	B-09						
16014-7008.....	B-10	92026-7020.....	B-04						
16020-7004.....	B-10	92033-7002.....	B-04						