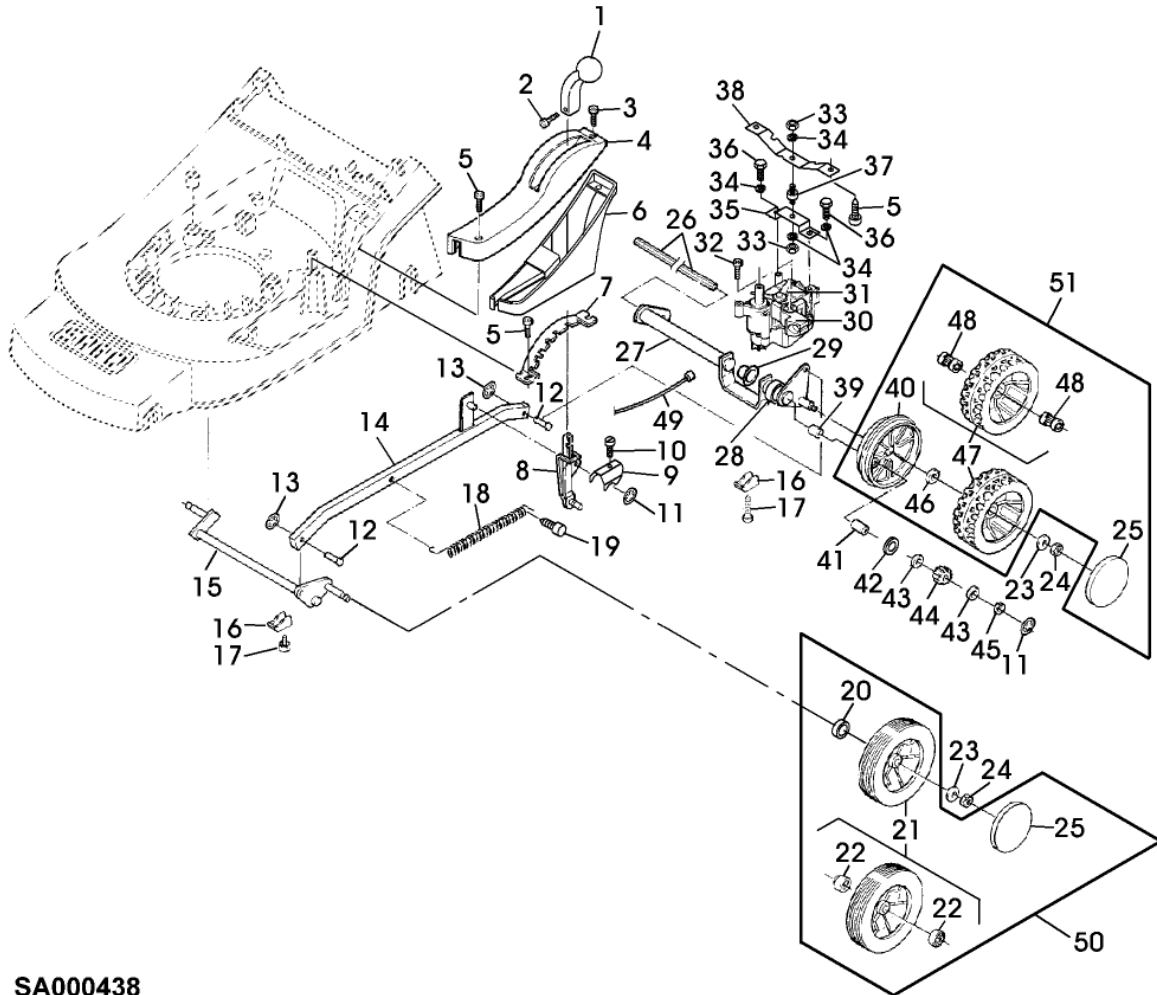


SA001197

| Bil d Nr. | Teilenummer | S t k . | BEZEICHNUNG | TI | Bis Modell |
|-----------------|-------------|------------------|---|----|------------|
| 1 | SA26625 | 1 | BENZINMOTOR B&S EUROPA OHV E MODEL 099777;TYP 0916 A2 | | |
| 2 | SA26629 | 1 | VORFILTER | | |
| | SA26630 | 1 | LUFTFILTER PAPER | | |
| 3 | SA35185 | 1 | FUELLSTANDANZEIGE | | |
| 4 | SA34780 | 1 | DECKEL NSEP (ORD SA35185) | | |
| 5 | LG690498 | 1 | FEDER (SUB FOR SA26799) | | |
| 6 | SA26798 | 1 | SCHRAUBE | | |
| 7 | SA26589 | 1 | ZÜNDKERZE | | |
| 8 | SA15967 | 2 | KEIL 4X6,5MM | | |
| 9 | SA36335 | 1 | MAEHGEHAEUSE (SUB FOR SA35191) | | |
| 10 | SA31711 | 4 | LAGERSCHALE | | |
| 11 | SA15578 | 3 | SCHRAUBE M10X35 | | |
| 12 | SA35274 | 1 | KEILRIEMEN 10X777 LI. | | |
| 13 | SA35332 | 1 | RIEMENSCHLEIBE (SUB SA36977) | | |
| 14 | SA15776 | 1 | STELLSCHRAUBE M6X16 | | |
| 15 | SA36688 | 1 | LÜFTERHAUBE (SUB FOR SA33220, SA36108) | | |
| 16 | SA34452 | 7 | SCHRAUBE DUO TAPTITE CM 6,0X14 | | |
| 17 | SA35335 | 1 | LUEFTER ASSY (ORD SA35172) | | |
| 18 | SA35466 | 1 | SPRENGRING 45X1,75MM | | |
| 19 | SA35467 | 2 | SCHEIBE | | |
| 20 | SA35468 | 2 | O-RING 45X5MM | | |
| 21 | SA34479 | 1 | LUEFTER NSEP (ORD SA35172) | | |
| 22 | SA34478 | 1 | FLANSCH NSEP (ORD SA35172) | | |
| 23 | SA34368 | 2 | SCHEIBE | | |
| 24 | SA33214 | 1 | MESSER | | |
| 25 | SA35170 | 1 | SCHEIBE | | |
| 26 | SA34499 | 1 | SCHEIBE | | |
| 27 | SA11866 | 1 | SCHRAUBE NF 3/8"X44,4MM | | |
| 28 | SA30117 | 1 | SPANNROLLE | | |
| 29 | SA29725 | 1 | HALTER | | |
| 30 | SA15233 | 3 | FEDERRING 8MM | | |
| 31 | SA15413 | 2 | MUTTER M8 | | |
| 32 | SA15212 | 1 | UNTERLEGSCHLEIBE (A) 6,4MM | | |
| 33 | SA34925 | 1 | ARM | | |
| 34 | SA16053 | 1 | SPANNROLLE | | |
| 35 | SA15331 | 1 | SECHSKANTSCHRAUBE M8X20 | | |
| 36 | SA15213 | 1 | UNTERLEGSCHLEIBE (A) 8,4MM | | |
| 37 | SA17726 | 1 | BÜCHSE | | |
| 38 | SA35079 | 1 | DREHFEDER | | |
| 39 | SA35472 | 1 | BLECH | | |
| 40 | SA30451 | 1 | RIEMENSCHLEIBE | | |
| 41 | SA15202 | 1 | UNTERLEGSCHLEIBE 6,4MM | | |
| 42 | SA19260 | 1 | SCHRAUBE M6X60 | | |
| 43 | SA34929 | 1 | ABDECKUNG | | |
| 44 | SA35583 | 1 | TROCKEN GELADENE BATTERIE (SUB FOR SA30421) | | |
| 45 | SA17648 | 2 | SCHRAUBE K 60X25MM | | |
| 46 | SA34946 | 1 | KONSOLE (SUB FOR SA34738) | | |
| 47 | SA34818 | 2 | HAKEN | | |
| 48 | SA34823 | 1 | BLECH | | |

| Bil d Nr. | Teilenummer | S t k . | BEZEICHNUNG | TI | Bis Modell |
|-----------------|-------------|------------------|-----------------------------|----|------------|
| 49 | SA34822 | 1 | STEG | | |
| 50 | SA17252 | 1 | SCHRAUBE B 4,9X16MM | | |
| 51 | SA36219 | 1 | KABELBAUM (SUB FOR SA33111) | | |
| 52 | SA35441 | 1 | KLAPPE | | |

(A) WERDEN NUR NOCH IN PACKMENGEN GELIEFERT



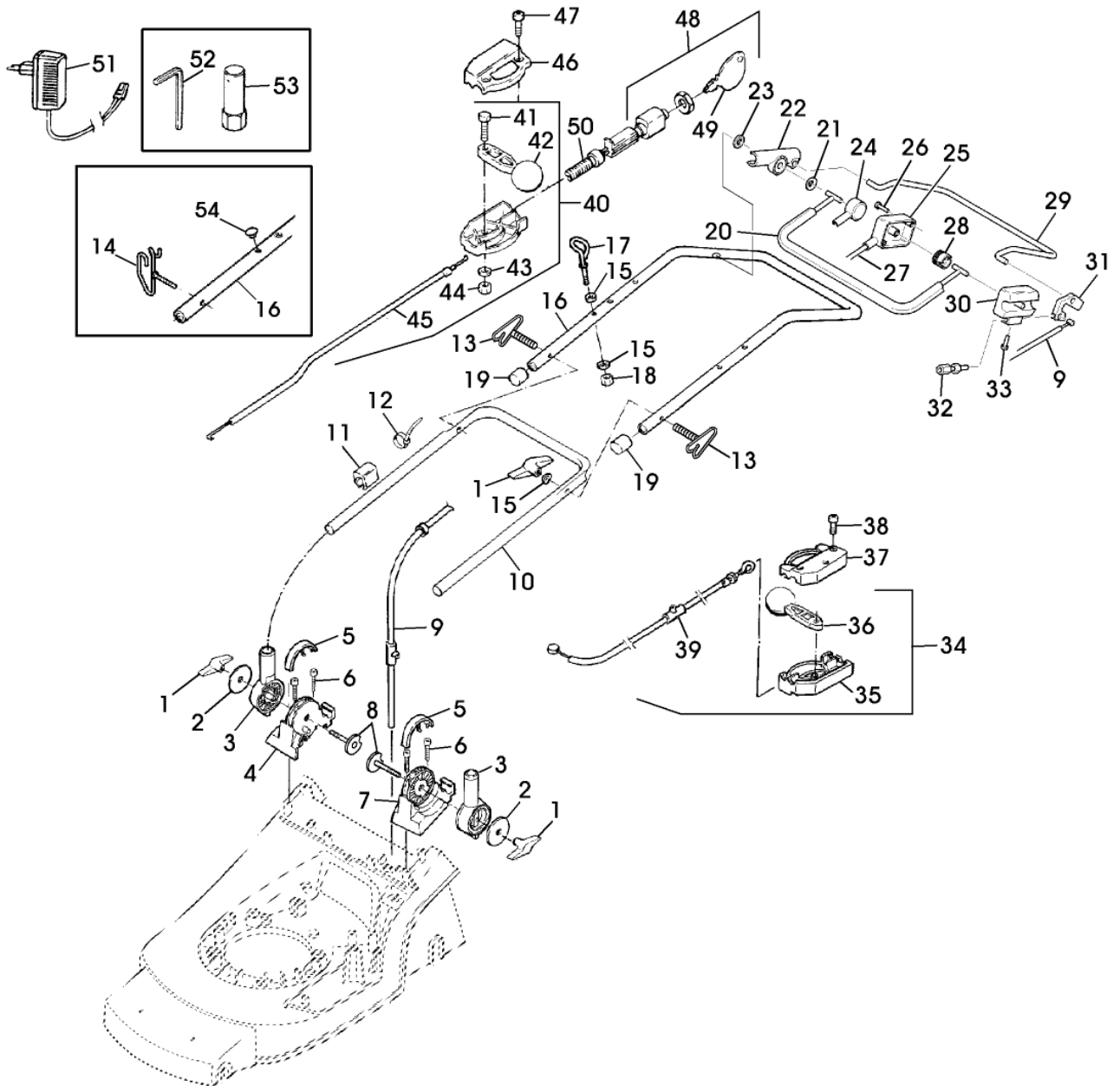
SA000438

| Bil d Nr. | Teilenummer | S t k . | BEZEICHNUNG | TI | Bis Modell |
|-----------------|-------------|------------------|--|----|------------|
| 1 | SA35086 | 1 | GRIFF | | |
| 2 | SA35023 | 1 | SCHRAUBE EJOT KB 30X8MM | | |
| 3 | SA35503 | 1 | SCHRAUBE DUO TAPTITE CM 60X20 | | |
| 4 | SA34438 | 1 | ABDECKUNG | | |
| 5 | SA34452 | 5 | SCHRAUBE DUO TAPTITE CM 6,0X14 | | |
| 6 | SA35194 | 1 | BLENDE | | |
| 7 | SA36116 | 1 | SEGMENT (SUB FOR SA34449) | | |
| 8 | SA34592 | 1 | HEBEL | | |
| 9 | SA36388 | 1 | KLEMME (SUB FOR SA15174) | | |
| 10 | SA29854 | 1 | SCHRAUBE M5X12 | | |
| 11 | SA34282 | 3 | FEDERMUTTER 8MM | | |
| 12 | SA17006 | 2 | BOLZEN 6H11X13,5MM | | |
| 13 | SA12973 | 2 | FEDERMUTTER (A) 6MM | | |
| 14 | SA35193 | 1 | VERBINDUNGSSTANGE | | |
| 15 | SA34451 | 1 | ACHSE FRONT | | |
| 16 | SA36261 | 4 | KLEMME (SUB FOR SA34649) | | |
| 17 | SA34450 | 4 | SCHRAUBE DUO TAPTITE CM 6,0X10 | | |
| 18 | SA35273 | 1 | ZUGFEDER | | |
| 19 | SA34452 | 1 | SCHRAUBE DUO TAPTITE CM 6,0X14 | | |
| | SA34452 | 1 | SCHRAUBE (SUB FOR SA35516) | | |
| 20 | SA35229 | 2 | UNTERLEGSSCHEIBE | | |
| 21 | SA34392 | 2 | RAD KPL. MIT BEREIFUNG (ORD SA35403) FRONT 180MM | | |
| 22 | SA33229 | 4 | KUGELLAGER | | |
| 23 | SA15213 | 4 | UNTERLEGSSCHEIBE (A) 8,4MM | | |
| 24 | 14M7327 | 4 | SICHERUNGSMUTTER (A) M8 (SUB FOR SA11998) | | |
| 25 | SA36555 | 4 | DECKEL (SUB FOR SA33231) | | |
| 26 | SA34474 | 1 | WELLE | | |
| 27 | SA34472 | 1 | ACHSE REAR | | |
| 28 | SA35399 | 1 | RING | | |
| 29 | SA34285 | 1 | LAGER | | |
| 30 | SA34279 | 1 | FÜHRUNG | | |
| 31 | SA34286 | 1 | GETRIEBE | | |
| 32 | SA31264 | 1 | SCHRAUBE M5X16 | | |
| 33 | SA15412 | 2 | MUTTER M6 | | |
| 34 | SA15232 | 4 | FEDERRING 6MM | | |
| 35 | SA35432 | 1 | HALTER LOW | | |
| 36 | SA15364 | 2 | SECHSKANTSCHRAUBE M6X12 | | |
| 37 | SA36571 | 1 | SCHWINGUNGSDÄMPFER (SUB FOR SA35433) | | |
| 38 | SA35435 | 1 | HALTER UP | | |
| 39 | SA31201 | 2 | BÜCHSE | | |
| 40 | SA35182 | 2 | ABDECKUNG | | |
| 41 | SA34284 | 2 | MITNEHMER | | |
| 42 | SA13911 | 2 | FEDERSCHEIBE (A) | | |
| 43 | SA13912 | 4 | SCHEIBE (A) | | |
| 44 | SA34503 | 1 | RITZEL RH | | |
| | SA34504 | 1 | RITZEL LH | | |
| 45 | SA15864 | 2 | SPRENGRING 14X1MM | | |
| 46 | SA35424 | 2 | SCHEIBE | | |
| 47 | SA35181 | 2 | RAD (OER SA35405) REAR 180MM | | |

Illustration D17 GETRIEBE, VORDER- UND HINTERACHSE

| Bil d Nr. | Teilenummer | S t k . | BEZEICHNUNG | TI | Bis Modell |
|-----------------|-------------|------------------|-----------------------|----|------------|
| 48 | SA12316 | 4 | NADELLAGER HK 1212 | | |
| 49 | SA34464 | 1 | SEILZUG (B) | | |
| 50 | SA35403 | 2 | RAD ASSY, FRONT 180MM | | |
| 51 | SA35405 | 2 | RAD ASSY, REAR 180MM | | |

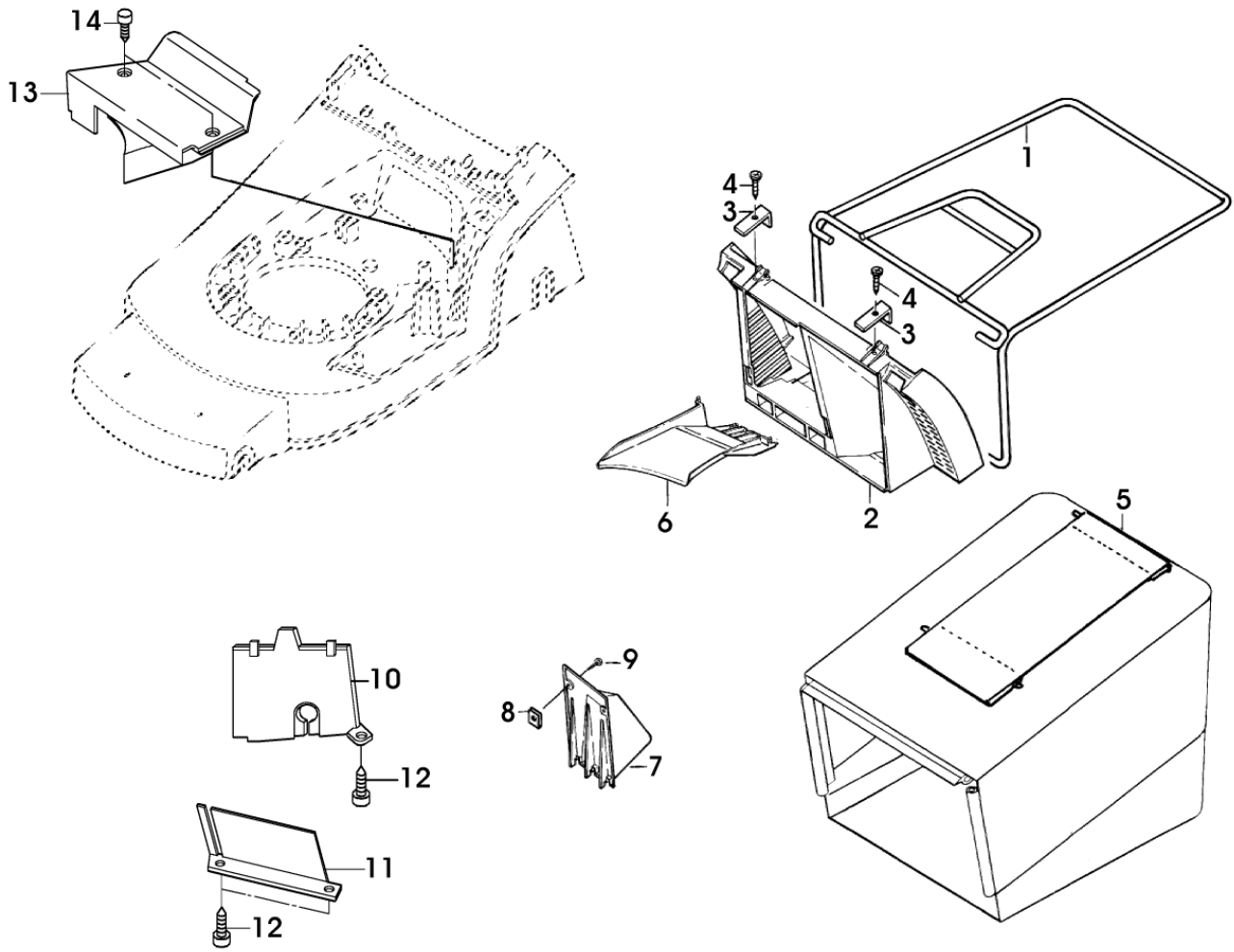
(A) WERDEN NUR NOCH IN PACKMENGEN GELIEFERT
(B) FUER FAHRANTRIEB



SA001198

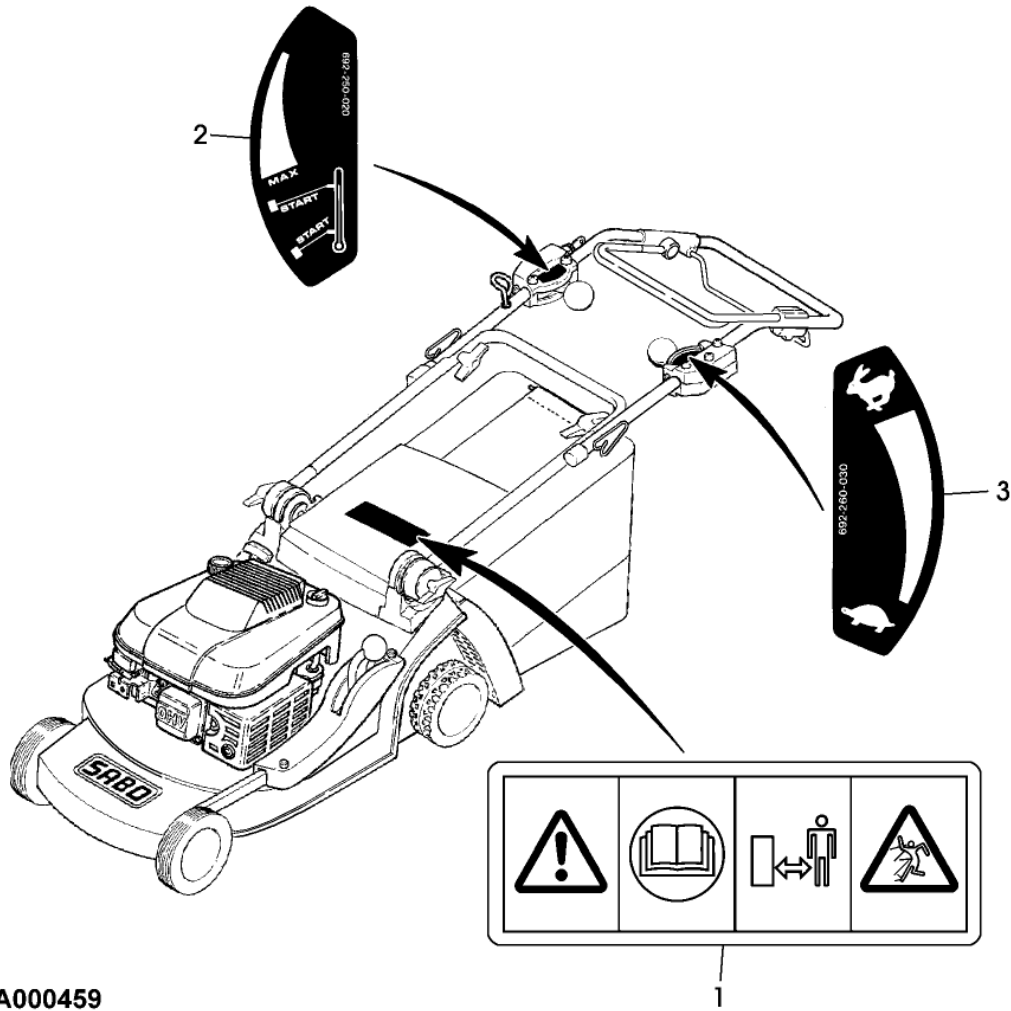
| Bil d Nr. | Teilenummer | S t k . | BEZEICHNUNG | TI | Bis Modell |
|-----------------|-------------|------------------|--|----|------------|
| 1 | SA31121 | 4 | FLÜGELMUTTER (A) | | |
| 2 | SA34442 | 2 | SCHEIBE | | |
| 3 | SA34462 | 2 | HALTER UP | | |
| 4 | SA34436 | 1 | HALTER RH | | |
| 5 | SA34489 | 2 | KAPPE | | |
| 6 | SA34452 | 4 | SCHRAUBE DUO TAPTITE CM 6,0X14 | | |
| 7 | SA34435 | 1 | HALTER LH | | |
| 8 | SA35217 | 2 | SCHWEISSSCHRAUBE | | |
| 9 | SA34464 | 1 | SEILZUG (B) | | |
| 10 | SA34463 | 1 | FUEHRUNG LOW | | |
| 11 | RA1000652 | 4 | KABELBINDER (SUB FOR SA34258, SA12505) | | |
| 12 | SA15273 | 1 | KABELBINDER | | |
| 13 | SA35190 | 1 | FÜHRUNG M6 RH (ORD SA35436, SA34099) | | |
| | SA35190 | 1 | FÜHRUNG M6 LH | | |
| 14 | SA35436 | 1 | FÜHRUNG | | |
| 15 | SA11243 | 4 | UNTERLEGSCHIEBE | | |
| 16 | SA34663 | 1 | LENKSTANGE UP | | |
| 17 | SA34459 | 1 | GRIFF (ORD SA35436, SA34099) | | |
| 18 | SA11244 | 1 | SICHERUNGSMUTTER (A) M6 | | |
| 19 | SA34255 | 2 | STOPFEN (A) | | |
| 20 | SA34660 | 1 | BUEGEL (C) | | |
| 21 | SA34089 | 1 | SCHEIBE | | |
| 22 | SA34662 | 1 | LAGER RH | | |
| 23 | SA34247 | 1 | RING | | |
| 24 | SA33951 | 1 | DECKEL RH | | |
| 25 | SA33952 | 1 | GEHAEUSE | | |
| 26 | SA31423 | 2 | SCHRAUBE KB 35X20 | | |
| 27 | SA34505 | 1 | SEILZUG (C) | | |
| 28 | SA33955 | 1 | ROLLE | | |
| 29 | SA34668 | 1 | BUEGEL (B) | | |
| 30 | SA34831 | 1 | GEHAEUSE (SUB FOR SA34661) | | |
| 31 | SA34787 | 1 | KABELHALTER | | |
| 32 | SA34098 | 1 | STELLSCHRAUBE | | |
| 33 | SA33975 | 1 | SCHRAUBE KB 40X35 | | |
| 34 | SA35078 | 1 | STEUERUNG LOW | | |
| 35 | SA33209 | 1 | GEHAEUSE LOW | | |
| 36 | SA34001 | 1 | HEBEL | | |
| 37 | SA33208 | 1 | GEHÄUSE UP | | |
| 38 | SA16268 | 3 | SCHRAUBE 4,2X32MM | | |
| 39 | SA35076 | 1 | SEILZUG | | |
| 40 | SA33210 | 1 | STEUERUNG LOW | | |
| 41 | SA15325 | 1 | SECHSKANTSCHRAUBE M6X30 | | |
| 42 | SA12768 | 1 | HEBEL | | |
| 43 | SA15202 | 1 | UNTERLEGSCHIEBE 6,4MM | | |
| 44 | SA11244 | 1 | SICHERUNGSMUTTER (A) M6 | | |
| 45 | SA33222 | 1 | SEILZUG NSEP (ORD SA33210) | | |
| 46 | SA31188 | 1 | GEHÄUSE UP | | |
| 47 | SA16268 | 2 | SCHRAUBE 4,2X32MM | | |
| 48 | SA24327 | 1 | SCHLOSS | | |

| Bil d Nr. | Teilenummer | S t k . | BEZEICHNUNG | TI | Bis Modell |
|-----------------|-------------|------------------|--|----|------------|
| 49 | SA18578 | 1 | SCHLÜSSEL | | |
| 50 | SA36219 | 1 | KABELBAUM (SUB FOR SA33111) | | |
| 51 | SA30343 | 1 | BATTERIELADEGERAET | | |
| 52 | SA18332 | 1 | MAUL-RINGSCHLÜSSEL 5/16" | | |
| 53 | SA36090 | 1 | SCHLÜSSEL SW 16/17 (SUB FOR SA16186) | | |
| 54 | SA34099 | 1 | STOPFEN (A) WERDEN NUR NOCH IN PACKMENGEN GELIEFERT (B) FUER FAHRANTRIEB (C) FUER MOTORBREMSE | | |



SA000440

| Bil d Nr. | Teilenummer | S t k . | BEZEICHNUNG | TI | Bis Modell |
|-----------------|-------------|------------------|--|----|------------|
| 1 | SA36451 | 1 | HALTER (SUB FOR SA34483) | | |
| 2 | SA34461 | 1 | KLAPPE | | |
| 3 | SA34617 | 2 | FEDERKLEMME | | |
| 4 | SA34877 | 2 | SCHRAUBE 6X16MM | | |
| 5 | SA35494 | 1 | GRASFANGBEHAELTER | | |
| 6 | SA35272 | 1 | RUTSCHE | | |
| 7 | SA34444 | 1 | ABDECKUNG | | |
| 8 | SA16712 | 2 | MUTTER | | |
| 9 | SA35431 | 2 | SCHRAUBE 3,9X16MM C | | |
| 10 | SA35197 | 1 | ABDECKUNG | | |
| 11 | SA35271 | 1 | BLECH | | |
| 12 | SA34452 | 3 | SCHRAUBE DUO TAPTITE CM 6,0X14 | | |
| 13 | SA35275 | 1 | ABDECKUNG | | |
| 14 | SA34452 | 2 | SCHRAUBE DUO TAPTITE CM 6,0X14 (SUB FOR SA34450) | | |



SA000459

1

| Bil d Nr. | Teilenummer | S t k . | BEZEICHNUNG | TI | Bis Modell |
|-----------------|-------------|------------------|-------------|----|------------|
| 1 | SA34669 | 1 | AUFKLEBER | | |
| 2 | SA34135 | 1 | AUFKLEBER | | |
| 3 | SA33217 | 1 | AUFKLEBER | | |