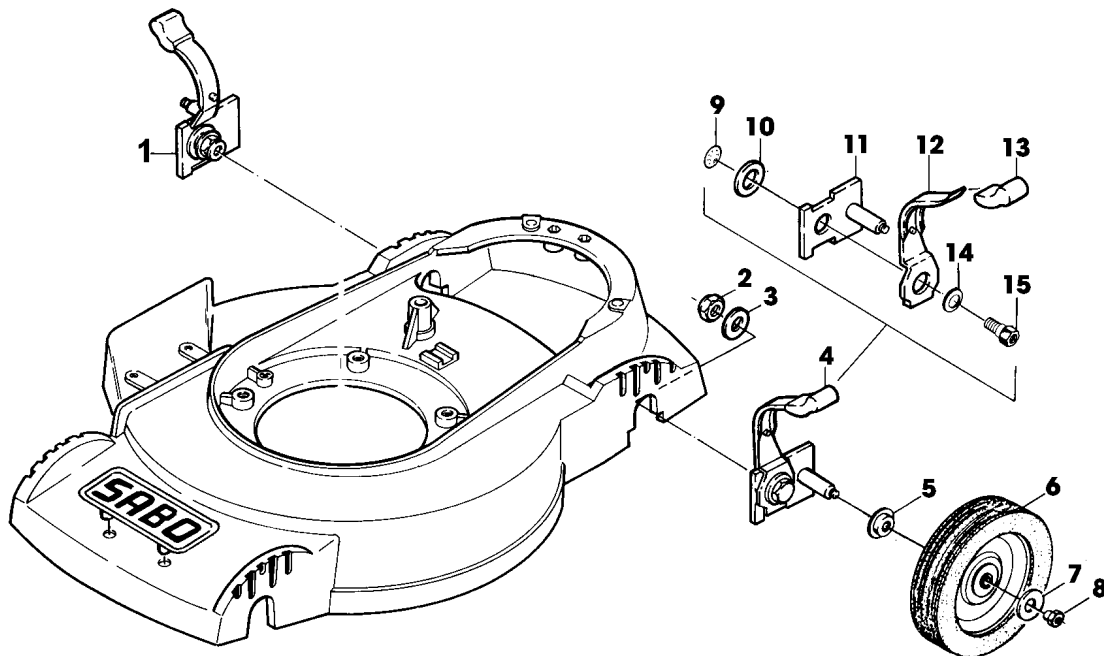


SA000557



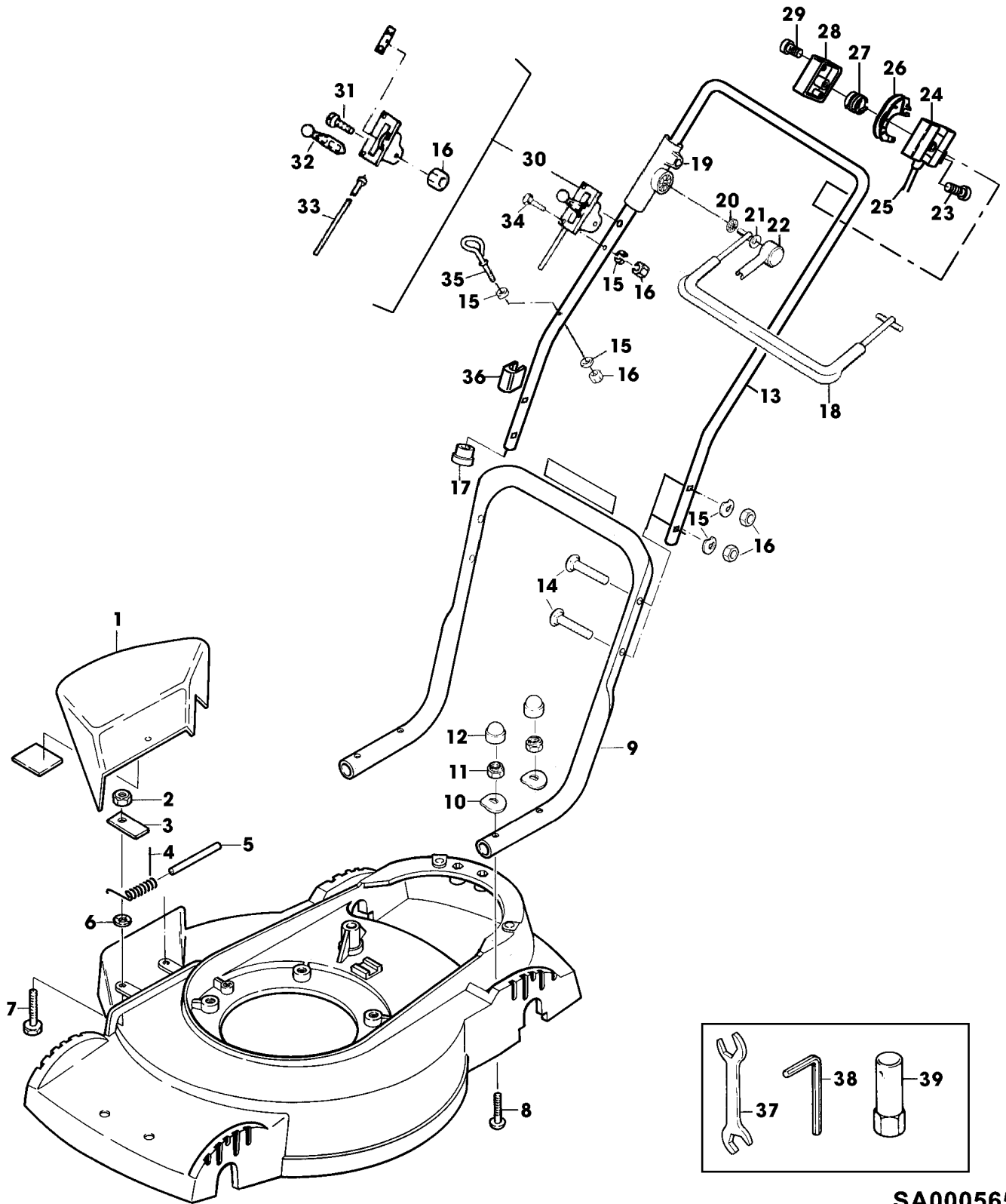
| TEIL | STCK.NR | BEZEICHNUNG | STCK. | SER-NR.- | -SER-NR. | BEMERKUNG |
|------|----------|--|-------|----------|----------|---|
| 1 | SA26624 | BENZINMOTOR | 1 | | | B&S EUROPA OHV B MODEL 099772 TYP 0920 A2 |
| 2 | LG690798 | KLEMME | 1 | | | (SUB FOR SA26799) |
| 3 | LG691044 | SCHRAUBE | 1 | | | (SUB FOR SA26798) |
| 4 | SA26630 | LUFTFILTER | 1 | | | PAPER |
| | SA26629 | VORFILTER | 1 | | | |
| 5 | 14M7327 | SICHERUNGSMUTTER | 3 | | | (A) M8 (SUB FOR SA11998) |
| 6 | SA26589 | ZÜNDKERZE | 1 | | | |
| 7 | SA15967 | KEIL | 1 | | | 4X6,5 |
| 8 | SA34376 | RIEMENSCHLEIFE | 1 | | | |
| 9 | SA15776 | STELLSCHRAUBE | 1 | | | M6X16 |
| 10 | SA34372 | ABDECKUNG | 1 | | | |
| 11 | SA14264 | SELBSTSICHERNDE SCHRAUBE | 1 | | | M8X20 |
| 12 | SA34525 | SCHEIBE | 1 | | | |
| 13 | SA34375 | SCHEIBE | 2 | | | |
| 14 | SA12230 | SCHEIBE | 4 | | | |
| 15 | SA34353 | KEILRIEMEN | 1 | | | |
| 16 | SA34373 | RING | 1 | | | |
| 17 | SA15336 | SECHSKANTSCHRAUBE | 1 | | | M8X40 |
| 18 | SA15366 | SECHSKANTSCHRAUBE | 1 | | | M8X80 |
| 19 | SA15310 | SECHSKANTSCHRAUBE | 1 | | | M8X70 |
| 20 | SA15203 | UNTERLEGSCHLEIFE | 1 | | | (A) A8,4 |
| 21 | SA34853 | GEHAEUSE | 1 | | | |
| 22 | SA34359 | RING | 2 | | | A20X1,2 |
| 23 | SA34362 | KUGELLAGER | 2 | | | 6204-2RS1 |
| 24 | SA34778 | DISTANZSTUECK | 1 | | | |
| 25 | SA34363 | SPRENGRING | 1 | | | J47X2 |
| 26 | SA34776 | WELLE | 1 | | | |
| 27 | SA15964 | FEDERSCHLEIFE | 1 | | | 4X5 |
| 28 | SA34774 | FLANSCH | 1 | | | |
| 29 | SA34428 | SCHRAUBE | 2 | | | KB 50X35 |
| 30 | SA34350 | SCHRAUBE | 4 | | | M8X25 |
| 31 | SA35169 | FLANSCH | 1 | | | |
| 32 | SA34368 | SCHEIBE | 2 | | | |
| 33 | SAA31214 | MAEHBALKEN | 1 | | | |
| 34 | SA35170 | SCHEIBE | 1 | | | |
| 35 | SA34499 | SCHEIBE | 1 | | | |
| 36 | SA34731 | SCHRAUBE | 1 | | | M10X35 |
| 37 | SAA34747 | SICHERUNGSBLECH | 1 | | | |
| 38 | SA34540 | NIET | 16 | | | (SUB FOR SA11019) |
| | | (A) WERDEN NUR NOCH IN PACKMENGEN DELIVERED | | | | |



SA000562



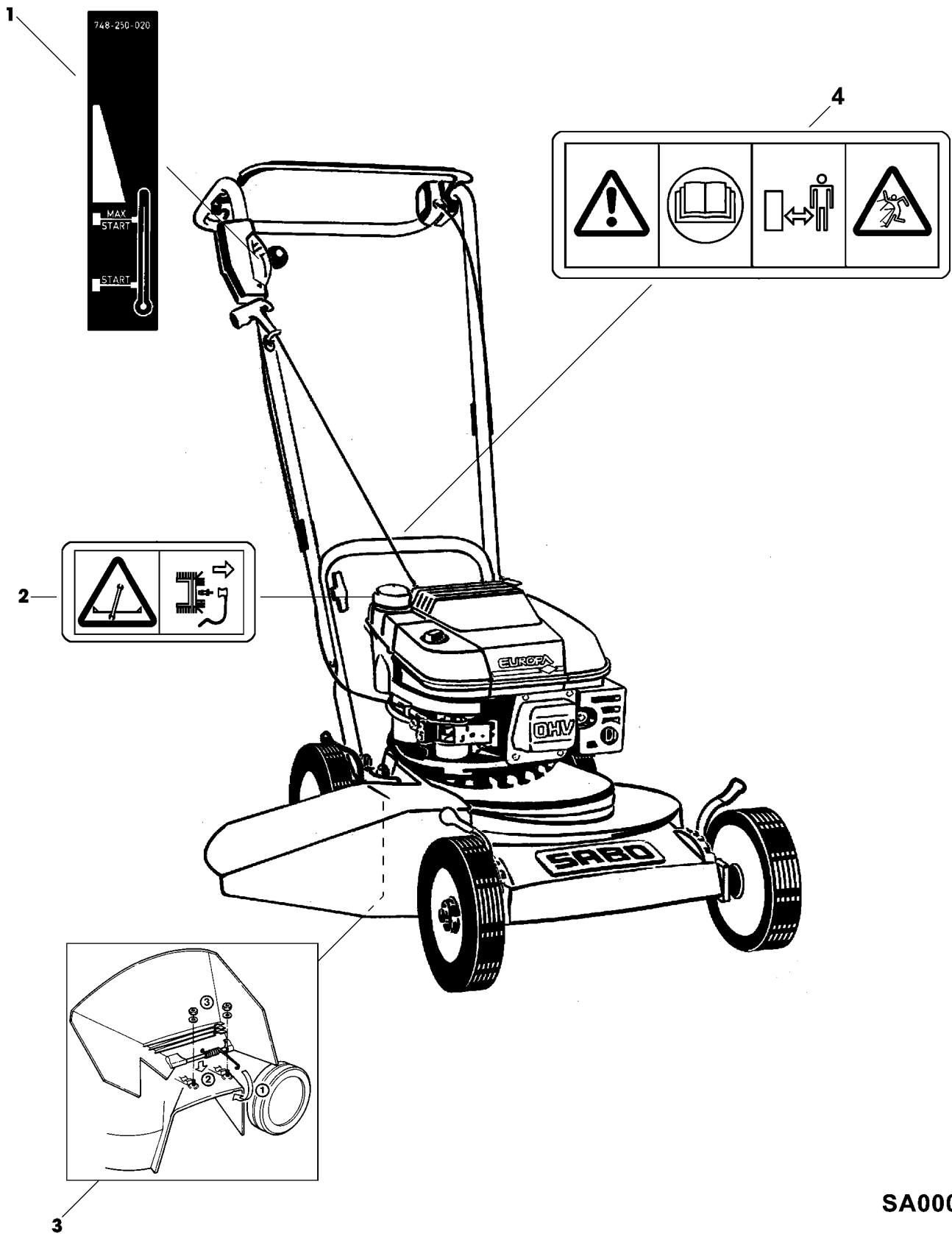
| TEIL | STCK.NR | BEZEICHNUNG | STCK. | SER-NR.- | -SER-NR. | BEMERKUNG |
|------|----------|--|-------|----------|----------|---|
| 1 | SAA34835 | HEBEL | 2 | | | ASSY, FRONT LH, REAR RH INCL KEYS 9, 10, 11, 12, 13, 14, 15 |
| 2 | SA15431 | MUTTER | 4 | | | BM 20X1,5 |
| 3 | SA15256 | FEDERSCHEIBE | 4 | | | B20 |
| 4 | SAA34836 | HEBEL | 1 | | | ASSY, FRONT RH, REAR LH, INCL KEYS 9, 10, 11, 12, 13, 14, 15 |
| 5 | SA12623 | KAPPE | 4 | | | |
| 6 | SA13851 | RAD | 4 | | | |
| 7 | SA31248 | SCHEIBE | 4 | | | |
| 8 | SA12624 | MUTTER | 4 | | | |
| 9 | SA12227 | FEDERKLEMME | 2 | | | (A) |
| 10 | SA34365 | SCHEIBE | 4 | | | |
| 11 | SA34379 | ACHSSCHENKEL | 2 | | | |
| 12 | SAA34381 | HEBEL | 2 | | | |
| 13 | SA34380 | KAPPE | 2 | | | |
| 14 | SA12223 | TELLERFEDER | 2 | | | |
| 15 | SA12746 | BOLZEN | 2 | | | |
| | | (A) WERDEN NUR NOCH IN PACKMENGEN GELIEFERT | | | | |



SA000565



| TEIL | STCK.NR | BEZEICHNUNG | STCK. | SER-NR.- | -SER-NR. | BEMERKUNG |
|------|----------|--|-------|----------|----------|----------------------------|
| 1 | SAA34371 | SCHUTZ | 1 | | | |
| 2 | SA15412 | MUTTER | 2 | | | M6 |
| 3 | SA34589 | LASCHE | 2 | | | |
| 4 | SA34354 | FEDER | 1 | | | |
| 5 | SA34370 | ACHSE | 1 | | | |
| 6 | SA34429 | FEDERSCHEIBE | 2 | | | 5,3 |
| 7 | SA34982 | SECHSKANTSCHRAUBE | 2 | | | M6X22 |
| 8 | SA30443 | SCHRAUBE | 4 | | | M8X40 |
| 9 | SAA34749 | HOLM | 1 | | | LOW |
| 10 | SA30444 | SCHEIBE | 4 | | | |
| 11 | 14M7327 | SICHERUNGSMUTTER | 4 | | | (A) M8 (SUB FOR SA11998) |
| 12 | SA34424 | KAPPE | 4 | | | M8 |
| 13 | SA35314 | HOLM | 1 | | | UP |
| 14 | SA15302 | SECHSKANTSCHRAUBE | 4 | | | M6X40 |
| 15 | SA11243 | UNTERLEGSCHNEIBE | 12 | | | |
| 16 | SA11244 | SICHERUNGSMUTTER | 8 | | | (A) M6 |
| 17 | SA34255 | STOPFEN | 2 | | | (A) |
| 18 | SA34660 | BUEGEL | 1 | | | (B) |
| 19 | SA34662 | LAGER | 1 | | | RH |
| 20 | SA34247 | RING | 1 | | | |
| 21 | SA34089 | SCHEIBE | 1 | | | |
| 22 | SA33951 | DECKEL | 1 | | | RH |
| 23 | SA33975 | SCHRAUBE | 2 | | | KB 40X35 |
| 24 | SA34832 | GEHAEUSE | 1 | | | |
| 25 | SA35317 | KABEL | 1 | | | (B) |
| 26 | SA34921 | EINSATZ | 1 | | | NSEP (ORD SA34832) |
| 27 | SA33955 | ROLLE | 1 | | | |
| 28 | SA33952 | GEHAEUSE | 1 | | | |
| 29 | SA31423 | SCHRAUBE | 2 | | | KB 35X20 |
| 30 | SA35315 | STEUERUNG | 1 | | | |
| 31 | SA15551 | SCHRAUBE | 1 | | | (A) M6X20 |
| 32 | SA12768 | HEBEL | 1 | | | |
| 33 | SA35318 | SEILZUG | 1 | | | NSEP (ORD SA35315) |
| 34 | SA15326 | SECHSKANTSCHRAUBE | 2 | | | M6X35 |
| 35 | SA34459 | GRIFF | 1 | | | |
| 36 | SA34258 | KLEMMME | 2 | | | |
| 37 | SA18311 | MAUL-RINGSCHLUESSEL | 1 | | | SW 10/13 |
| 38 | SA34732 | INNEN-6KT.SCHRAUBENDR.-SA | 1 | | | SW 7 |
| 39 | SA36090 | SCHLÜSSEL | 1 | | | SW 16/17 (SUB FOR SA16186) |
| | | (A) WERDEN NUR NOCH IN PACKMENGEN GELIEFERT | | | | |



SA000570



| TEIL | STCK.NR | BEZEICHNUNG | STCK. | SER-NR.- | -SER-NR. | BEMERKUNG |
|------|---------|-------------|-------|----------|----------|-----------|
| 1 | SA34425 | AUFKLEBER | 1 | | | |
| 2 | SA34767 | AUFKLEBER | 1 | | | |
| 3 | SA34426 | AUFKLEBER | 1 | | | |
| 4 | SA34669 | AUFKLEBER | 1 | | | |