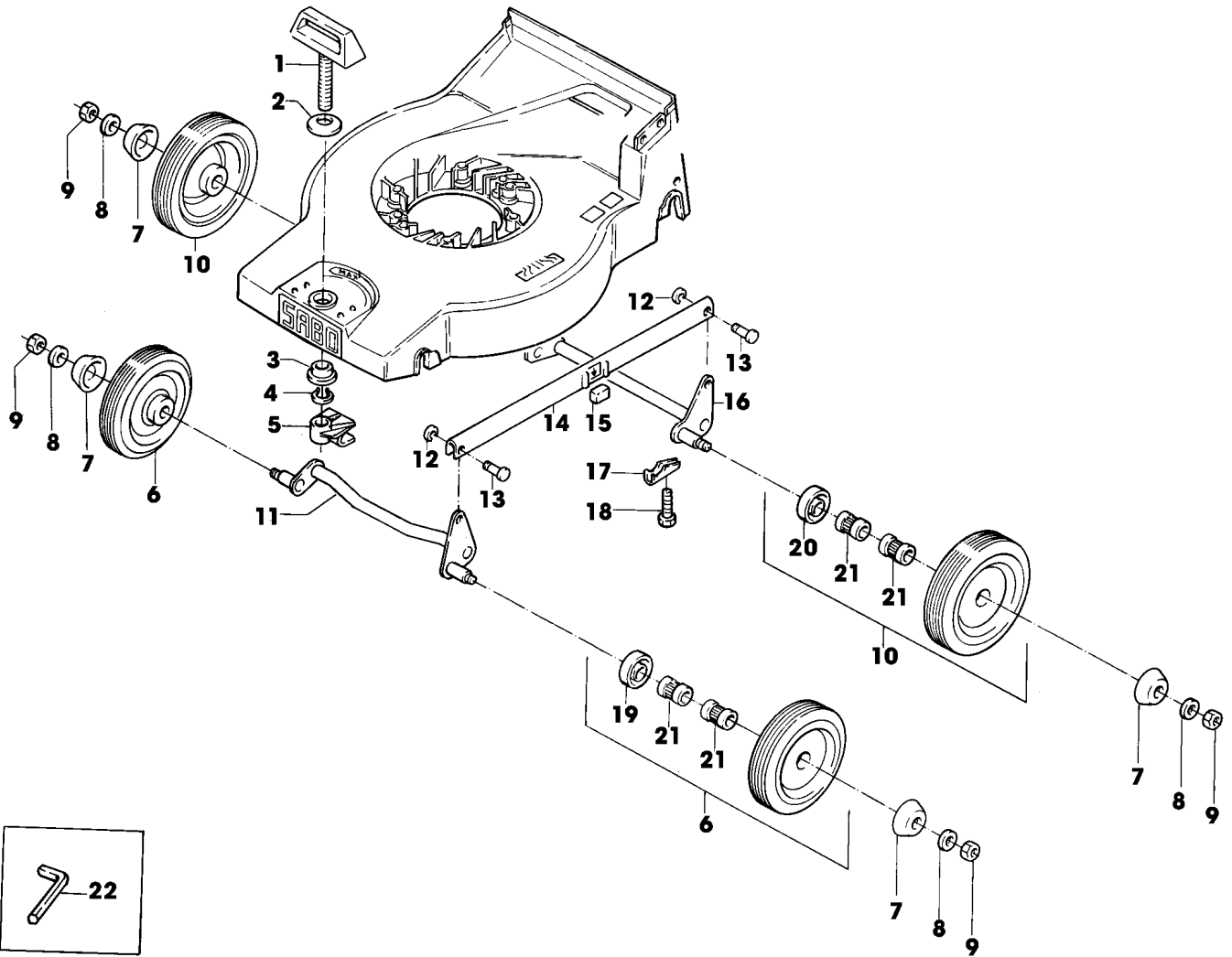


SA000614



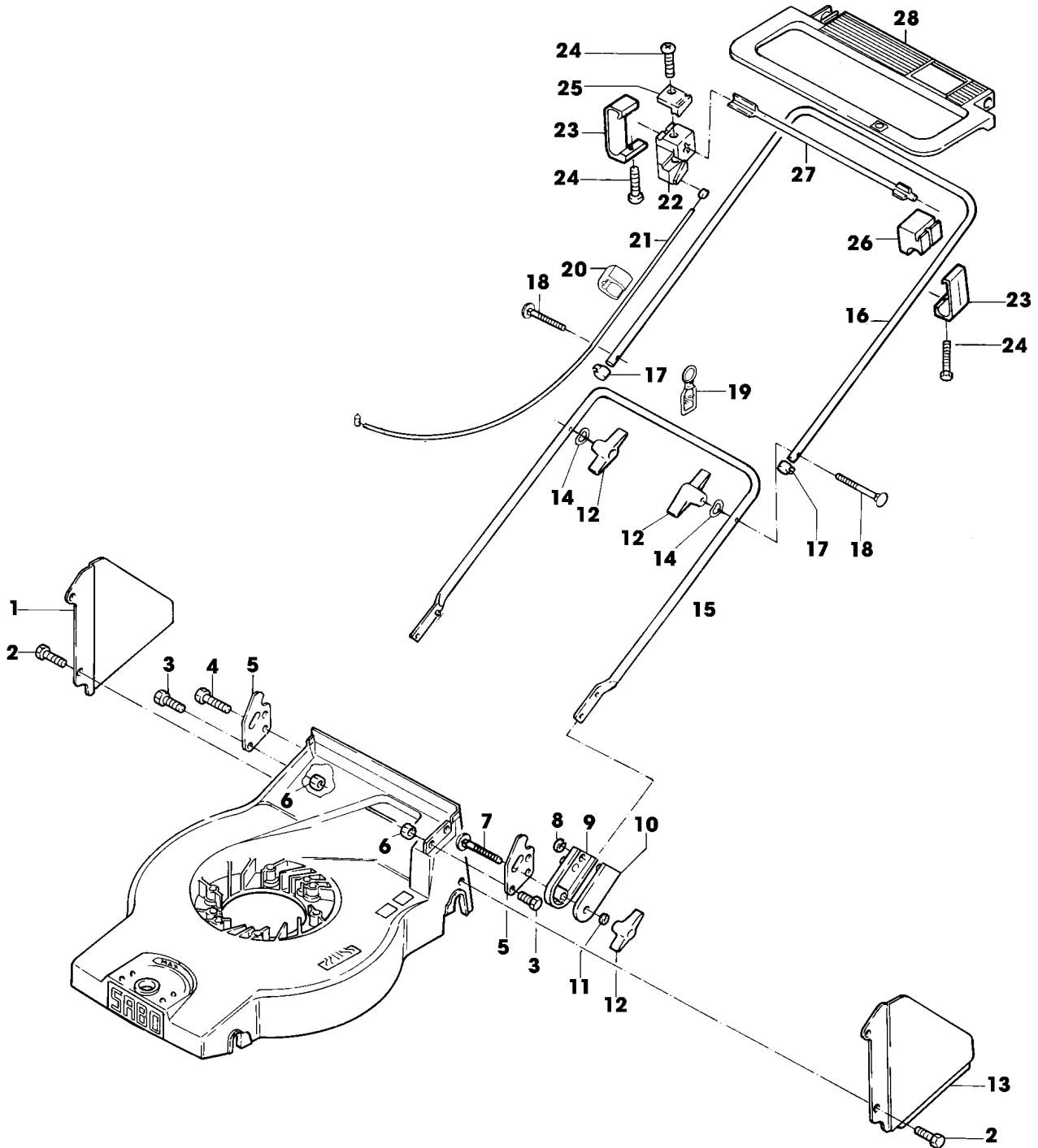
| TEIL | STCK.NR | BEZEICHNUNG | STCK. | SER-NR.- | -SER-NR. | BEMERKUNG |
|------|----------|--|-------|----------|----------|---|
| 1 | SAA33428 | MAEHGEHAEUSE | 1 | | | (SUB FOR SA15167) |
| 2 | SA11239 | DISTANZSTUECK | 4 | 011438 | | |
| 3 | SA16500 | HALTER | 1 | | | |
| 4 | SA15913 | ELEKTROMOTOR | 1 | | 011437 | ASSY, 1300W (ORD SA34274, SA34275, SAA32607) |
| | SA11189 | ELEKTROMOTOR | 1 | 011438 | 051102 | ASSY, 1300W (ORD SA34274, SA34275) |
| 5 | SA19291 | KONDENSATOR | 1 | | | 16 MY/F |
| 6 | SA15326 | SECHSKANTSCHRAUBE | 4 | | 011437 | M6X35 |
| | SA11188 | SECHSKANTSCHRAUBE | 4 | 011438 | | M6X50 |
| 7 | SA16504 | SCHEIBE | 4 | | | |
| 8 | SA11244 | SICHERUNGSMUTTER | 4 | 011438 | | (A) M6 |
| 9 | SA15725 | ELEKTR. STECKVERB. FUELLS | 1 | | | |
| | SA15856 | ELEKTR. STECKVERBINDUNG | 1 | | | (B) |
| 10 | SA30936 | DECKEL | 1 | | | |
| 11 | SA18745 | WELLENGELENSICHERUNGSSTI | 1 | | | |
| 12 | SA30494 | HEBEL | 1 | | | |
| 13 | SA11316 | FEDER | 2 | | | |
| 14 | SA30476 | SCHALTER | 1 | | | |
| 15 | SA29774 | LASCHE | 1 | | 011437 | (A) |
| | SA11311 | KLEMME | 1 | 011438 | | |
| 16 | SA16267 | SCHRAUBE | 1 | 019326 | 051102 | (A) 4,2X13 |
| | SA12182 | SCHRAUBE | 1 | 011438 | | 4,2X19 |
| 17 | SA16267 | SCHRAUBE | 3 | | | (A) 4,2X13 |
| 18 | SA16506 | LUFTFUEHRUNG | 1 | | | |
| 19 | SA16507 | HAUBE | 1 | | | |
| 20 | SA16268 | SCHRAUBE | 3 | | | 4,2X32 |
| 21 | SA35232 | LUEFTER | 1 | | | (C) NSEP (ORD SAA10123) |
| 22 | SAA15166 | MESSER | 1 | | | |
| 23 | SA16509 | FLANSCH | 1 | | | (FOR SA35232) |
| 24 | SA15233 | FEDERRING | 1 | | | A8 |
| 25 | SA15570 | SCHRAUBE | 1 | | | M8X30 |
| 26 | SA16510 | ABDECKUNG | 1 | | | |
| 27 | SA34256 | HAUBE | 1 | | | ASSY INCL KEYS 10,11,12,13,14,15,16, 19,20,SA15726 |
| | | (A) WERDEN NUR NOCH IN PACKMENGEN GELIEFERT | | | | |
| | | (B) AUSFUEHRUNG SCHWEIZ | | | | |
| | | (C) TEILESATZ SAA10123 BEINHALTET AUCH FLANSCH SA37318 UND SCHRAUBE SA37472 | | | | |



SA000617



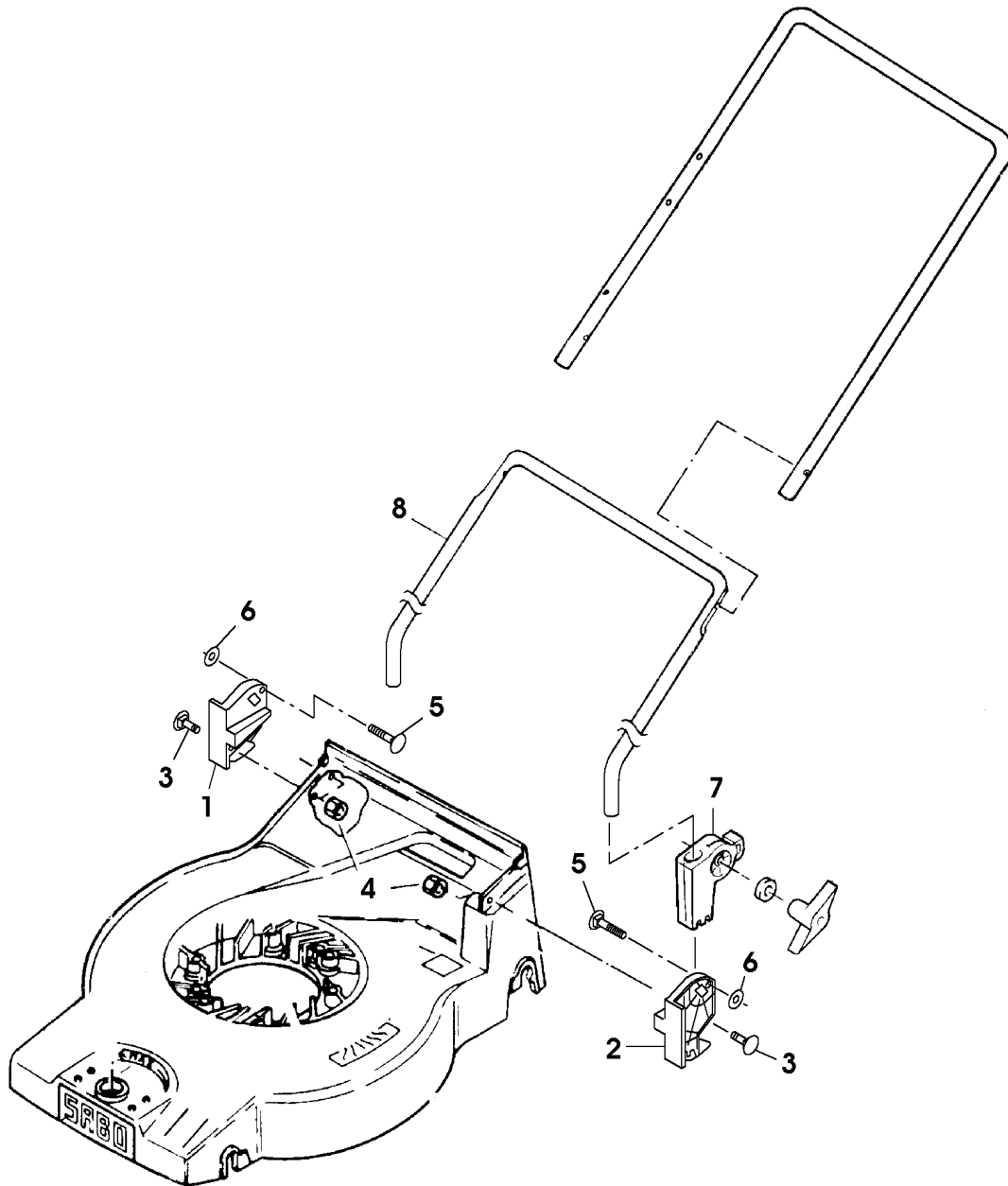
| TEIL | STCK.NR | BEZEICHNUNG | STCK. | SER-NR.- | -SER-NR. | BEMERKUNG |
|------|----------|--|-------|----------|----------|-----------------------------|
| 1 | SA15168 | GRIFF | 1 | | | |
| 2 | SA15724 | TELLERFEDER | 1 | | 011437 | |
| | SA15169 | FEDER | 1 | 011438 | | |
| 3 | SAA11251 | KUGELLAGER | 1 | | | |
| 4 | SA15691 | SPRENGRING | 1 | | | 9 |
| 5 | SA15170 | SCHALTKONSOLE | 1 | | | |
| 6 | SA12310 | RAD KPL. MIT BEREIFUNG | 2 | | 046523 | ASSY (ORD ASSY SA35401) |
| | SA33189 | RAD | 2 | 046524 | 051102 | ASSY (ORD ASSY SA35401) |
| 7 | SA15199 | KAPPE | 4 | | | |
| 8 | SA15213 | UNTERLEGSSCHEIBE | 4 | | | (A) A8,4 |
| 9 | 14M7327 | SICHERUNGSMUTTER | 4 | | | (A) M8 (SUB FOR SA11998) |
| 10 | SA15194 | RAD KPL. MIT BEREIFUNG | 2 | | 046523 | ASSY (ORD ASSY SAA35403) |
| | SA33190 | RAD | 2 | 046524 | 051102 | ASSY (ORD ASSY SAA35403) |
| 11 | SA15171 | ACHSE | 1 | | | FRONT |
| 12 | SA12973 | FEDERMUTTER | 2 | | 011437 | (A) |
| | H120499 | FEDERMUTTER | 2 | 011438 | | (A) |
| 13 | SA17006 | BOLZEN | 2 | | | 6H11X13,5 (SUB FOR SA15190) |
| 14 | SA15173 | VERBINDUNGSSTANGE | 1 | | | |
| 15 | SA15191 | ANSCHLAG | 1 | | | |
| 16 | SA15172 | ACHSE | 1 | | | REAR |
| 17 | SA36388 | KLEMME | 4 | | | (SUB FOR SA15174) |
| 18 | SA17604 | SCHRAUBE | 4 | | | (A) M5X10 |
| 19 | SA12315 | SCHEIBE | 2 | | | (FOR SA12310) |
| | SA15198 | SCHEIBE | 2 | | | (FOR SA33189) |
| 20 | SA15198 | SCHEIBE | 2 | | | |
| 21 | SA12316 | NADELLAGER | 4 | | | HK 1212 |
| | SA12316 | NADELLAGER | 4 | | | HK 1212 |
| 22 | SA18331 | INNEN-6KT.SCHRAUBENDR.-SA | 1 | | | 6 L |
| | | (A) WERDEN NUR NOCH IN PACKMENGEN DELIEFERT | | | | |



SA000618



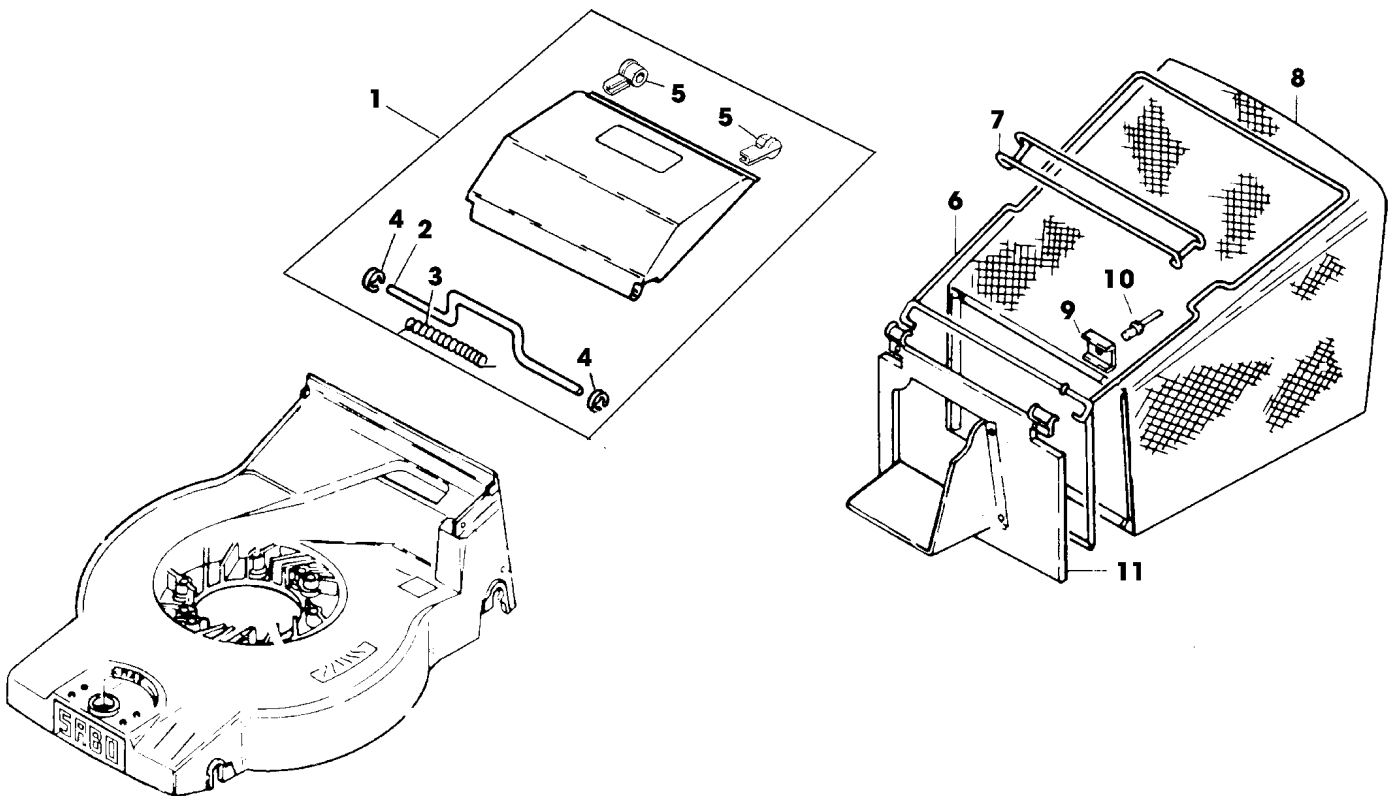
| TEIL | STCK.NR | BEZEICHNUNG | STCK. | SER-NR.- | -SER-NR. | BEMERKUNG |
|------|----------|--|-------|----------|----------|-------------------------|
| 1 | SAA16942 | BLECH | 1 | | | RH |
| 2 | SA17604 | SCHRAUBE | 2 | | | (A) M5X10 |
| 3 | SA15322 | SECHSKANTSCHRAUBE | 2 | | | M6X16 |
| 4 | 19M7077 | SECHSKANTSCHRAUBE | 2 | | | M6X20 (SUB FOR SA15323) |
| 5 | SAA16944 | HALTER | 1 | | | |
| 6 | SA15412 | MUTTER | 4 | | | M6 |
| 7 | SA15632 | SCHRAUBE | 2 | | | M6X45 |
| 8 | SA12743 | FEDERMUTTER | 2 | | | |
| 9 | SA15187 | PLATTE | 2 | | | (ORD W/SA15186) |
| 10 | SA15186 | PLATTE | 2 | | | (ORD W/SA15187) |
| 11 | SA15212 | UNTERLEGSCHIEBE | 2 | | | (A) A6,4 |
| 12 | SA31121 | FLÜGELMUTTER | 4 | | | (A) |
| 13 | SAA16941 | BLECH | 1 | | | LH |
| 14 | SA11243 | UNTERLEGSCHIEBE | 2 | | | |
| 15 | SAA15722 | FUEHRUNG | 1 | | | LOW |
| 16 | SA15723 | LENKSTANGE | 1 | | | UP |
| 17 | SA15893 | KAPPE | 2 | | | (A) |
| 18 | SA15632 | SCHRAUBE | 2 | | | M6X45 |
| 19 | SA31745 | KABELHALTER | 1 | | | ASSY (SUB FOR SA12040) |
| 20 | SA34258 | KLEMME | 1 | | | (SUB FOR SA31237) |
| | SA34258 | KLEMME | 2 | | | |
| 21 | SA15726 | SEILZUG | 1 | | | |
| 22 | SA30478 | HALTER | 1 | | 019325 | |
| | SA11287 | HALTER | 2 | 019326 | 051102 | |
| 23 | SA19261 | LASCHE | 2 | | | |
| 24 | SA16267 | SCHRAUBE | 3 | | | (A) 4,2X13 |
| 25 | SA30479 | DECKEL | 1 | | 019325 | |
| | SA11311 | KLEMME | 1 | 019326 | 051102 | |
| 26 | SA19262 | HALTER | 2 | | | |
| 27 | SA16935 | DREHFEDER | 1 | | | |
| 28 | SA16936 | GRIFF | 1 | | | |
| | | (A) WERDEN NUR NOCH IN PACKMENGEN DELIEFERT | | | | |



SA002630



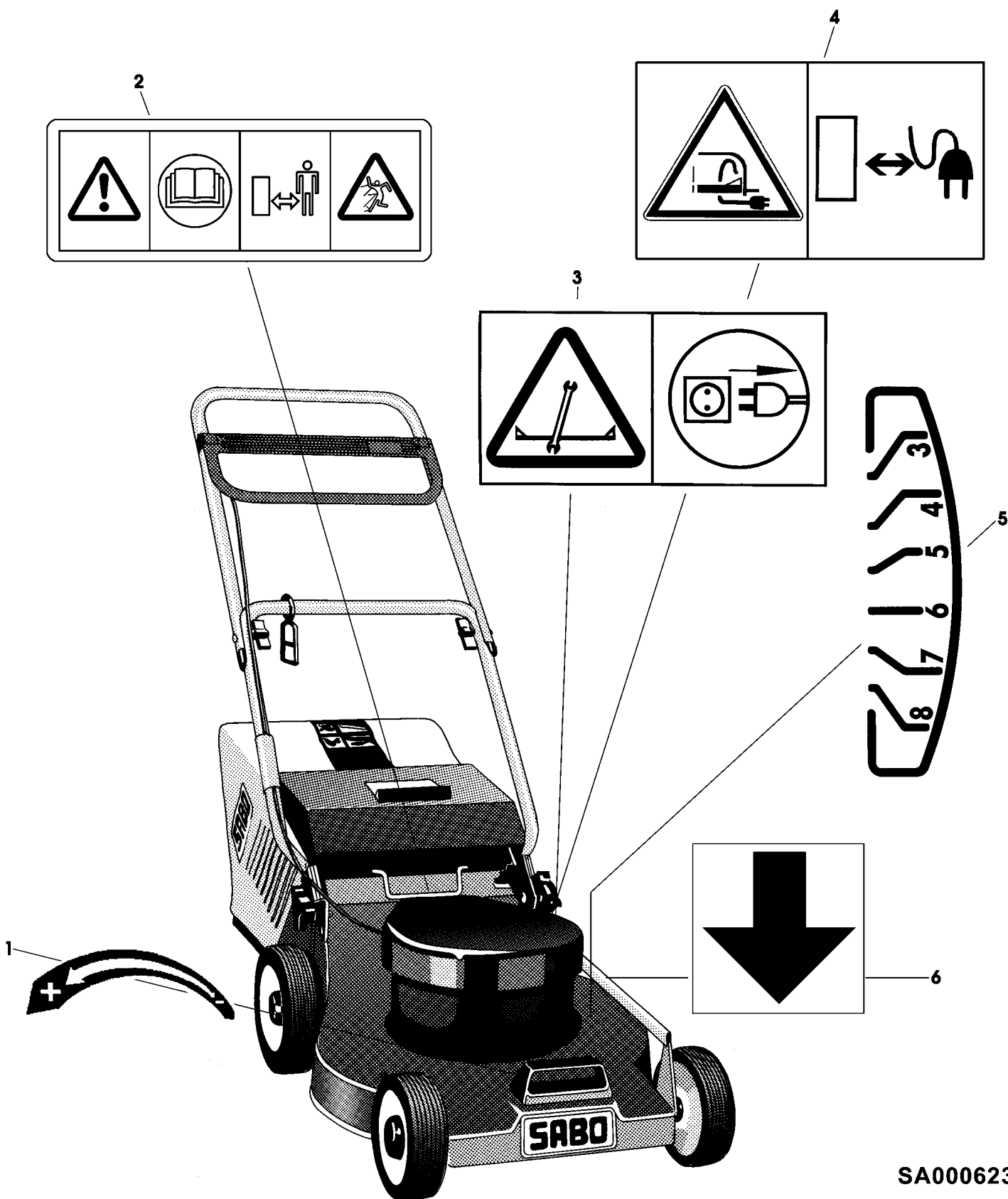
| TEIL | STCK.NR | BEZEICHNUNG | STCK. | SER-NR.- | -SER-NR. | BEMERKUNG |
|------|----------|--------------|-------|----------|----------|---------------------------------------|
| 1 | SA36310 | HALTER | 1 | | | RH |
| 2 | SA36311 | HALTER | 1 | | | LH |
| 3 | SA36312 | SCHRAUBE | 4 | | | M6X25 (ORD SA15324, SA15212, SA37416) |
| 4 | SA15412 | MUTTER | 4 | | | M6 |
| 5 | SA18797 | SCHRAUBE | 2 | | | M6X65 |
| 6 | SA34429 | FEDERSCHEIBE | 2 | | | |
| 7 | SA33256 | HALTER | 2 | | | |
| 8 | SAA36309 | FUEHRUNG | 1 | | | LOW |



SA000524



| TEIL | STCK.NR | BEZEICHNUNG | STCK. | SER-NR.- | -SER-NR. | BEMERKUNG |
|------|----------|--|-------|----------|----------|---|
| 1 | SAA34593 | KLAPPE | 1 | | | ASSY |
| 2 | | BUEGEL | 1 | | | NSEP (ORD SAA34593) |
| 3 | | FEDER | 1 | | | NSEP (ORD SAA34593) |
| 4 | | RING | 2 | | | NSEP (ORD SAA34593) |
| 5 | | DAEMPFER | 2 | | | NSEP (ORD SAA34593) |
| 6 | SAA31460 | HALTER | 1 | | | |
| 7 | SAA16557 | GRIFF | 1 | | | |
| 8 | SA31461 | GRASFANGBEHAELTER | 1 | | | |
| 9 | SA17715 | FEDERKLEMME | 2 | | | (A) |
| 10 | | NIET | 2 | | | 3,9X5,7 (ORD SA15541, SA15200, SA15410) |
| 11 | SA16559 | KLAPPE | 1 | | | |
| | | (A) WERDEN NUR NOCH IN PACKMENGEN GELIEFERT | | | | |



SA000623



| TEIL | STCK.NR | BEZEICHNUNG | STCK. | SER-NR.- | -SER-NR. | BEMERKUNG |
|------|---------|-------------|-------|----------|----------|-------------------|
| 1 | SA16350 | AUFKLEBER | 1 | | | |
| 2 | SA34669 | AUFKLEBER | 1 | | | (SUB FOR SA16353) |
| 3 | SA34768 | AUFKLEBER | 1 | | | (ORD SA35219) |
| 4 | SA34769 | AUFKLEBER | 1 | | | (ORD SA35219) |
| 5 | SA16352 | AUFKLEBER | 1 | | | |
| 6 | SA13820 | AUFKLEBER | 1 | | | |