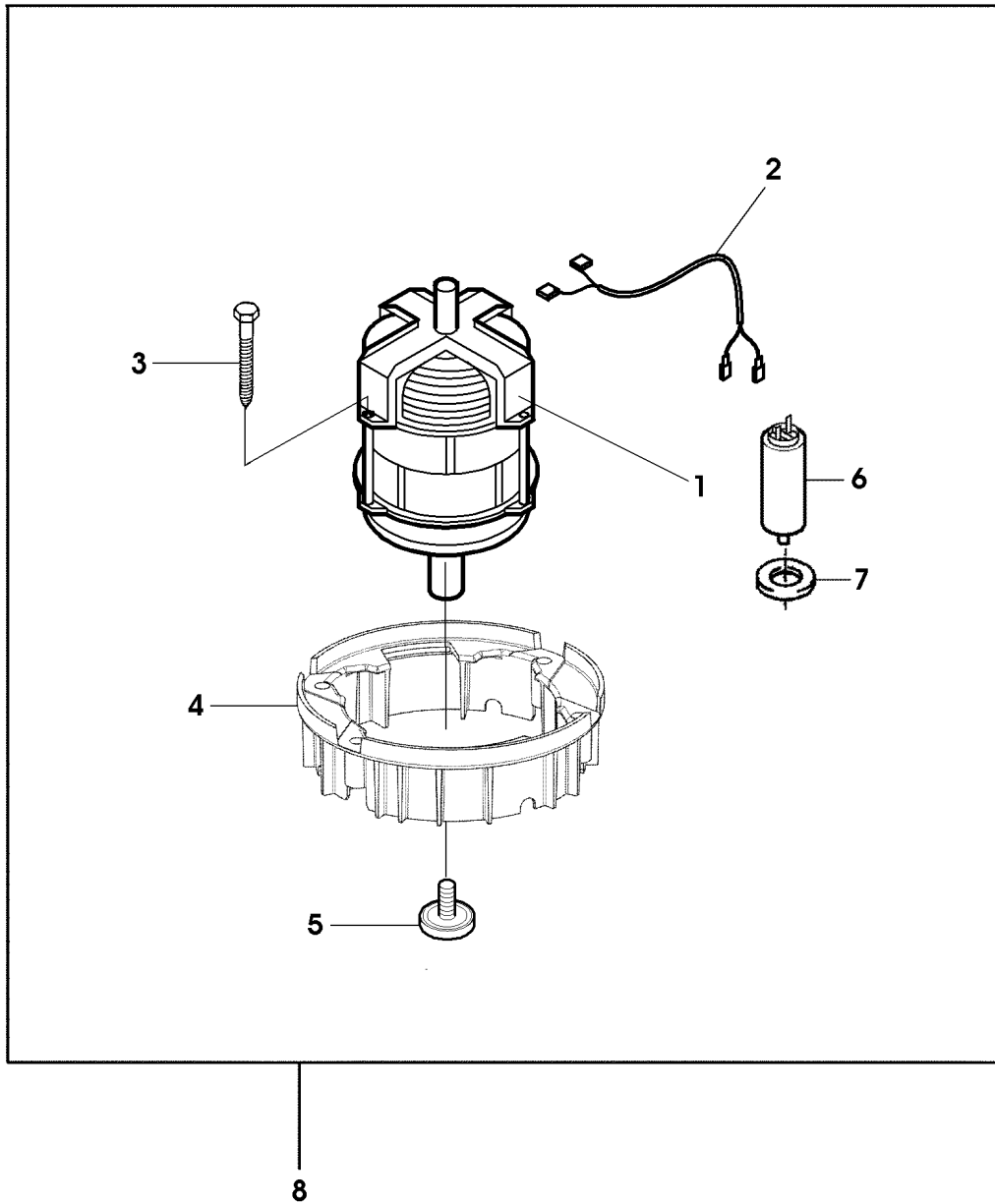


SA003834



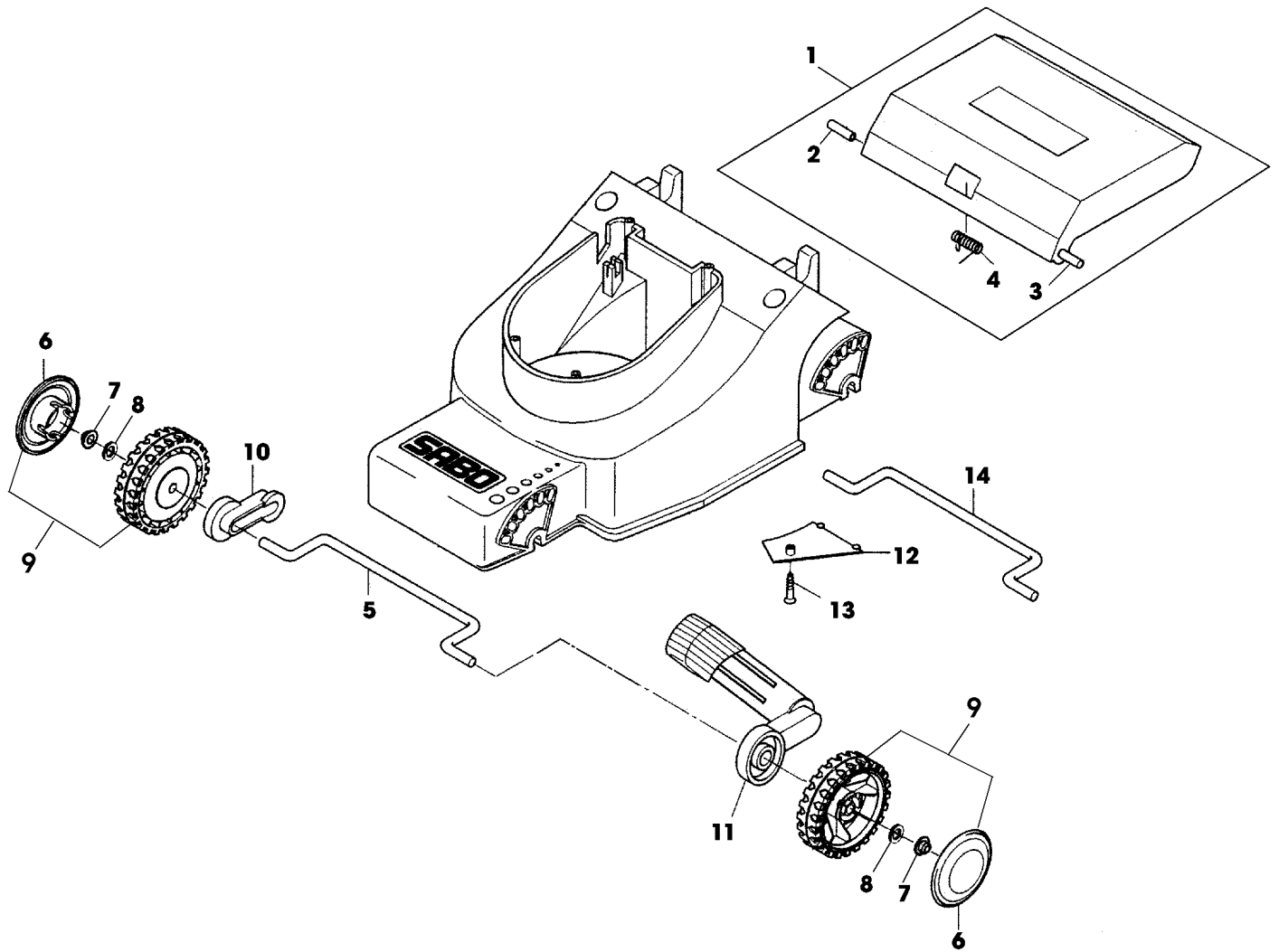
| TEIL | STCK.NR  | BEZEICHNUNG              | STCK. | SER-NR.- | -SER-NR. | BEMERKUNG                                      |
|------|----------|--------------------------|-------|----------|----------|--|
| 1    | SAA10126 | MAEHGEHAEUSE             | 1     |          |          | (INCL KEYS SAU10200, SA34876, SA16267)         |
| 2    | SAU10200 | RING                     | 1     |          |          |  |
| 3    | SAA11070 | ELEKTROMOTOR             | 1     |          |          | 1100 W, SUB FOR SAA10444                       |
| 4    | SAU10228 | SCHRAUBE                 | 4     |          |          | K 70X50  |
| 5    | SAU13928 | KABELBAUM, ELEKTROMOTOR- | 1     |          |          | SUB FOR SAU10203                               |
| 6    | SA34873  | DECKEL                   | 1     |          |          |  |
| 7    | SA15882  | SCHRAUBE                 | 2     |          |          | 50X20  |
| 8    | SA34874  | HAUBE                    | 1     |          |          |  |
| 9    | SA15882  | SCHRAUBE                 | 2     |          |          | KB 50X20                                       |
| 10   | SA30472  | NABE                     | 1     |          |          | ORDER SAA10600, INCLUDES SAU12033 AND SAU10221 |
| 11   | SAU10142 | LUEFTER                  | 1     |          |          | ORDER SAA10600, INCLUDES SAU12033 AND SAU10221 |
| 12   | SAA37444 | MESSER                   | 1     |          |          |  |
| 13   | SA30475  | FLANSCH                  | 1     |          |          |  |
| 14   | SA35424  | SCHEIBE                  | 1     |          |          |  |
| 15   | SAU10388 | SCHRAUBE                 | 1     |          |          |  |



SA005406



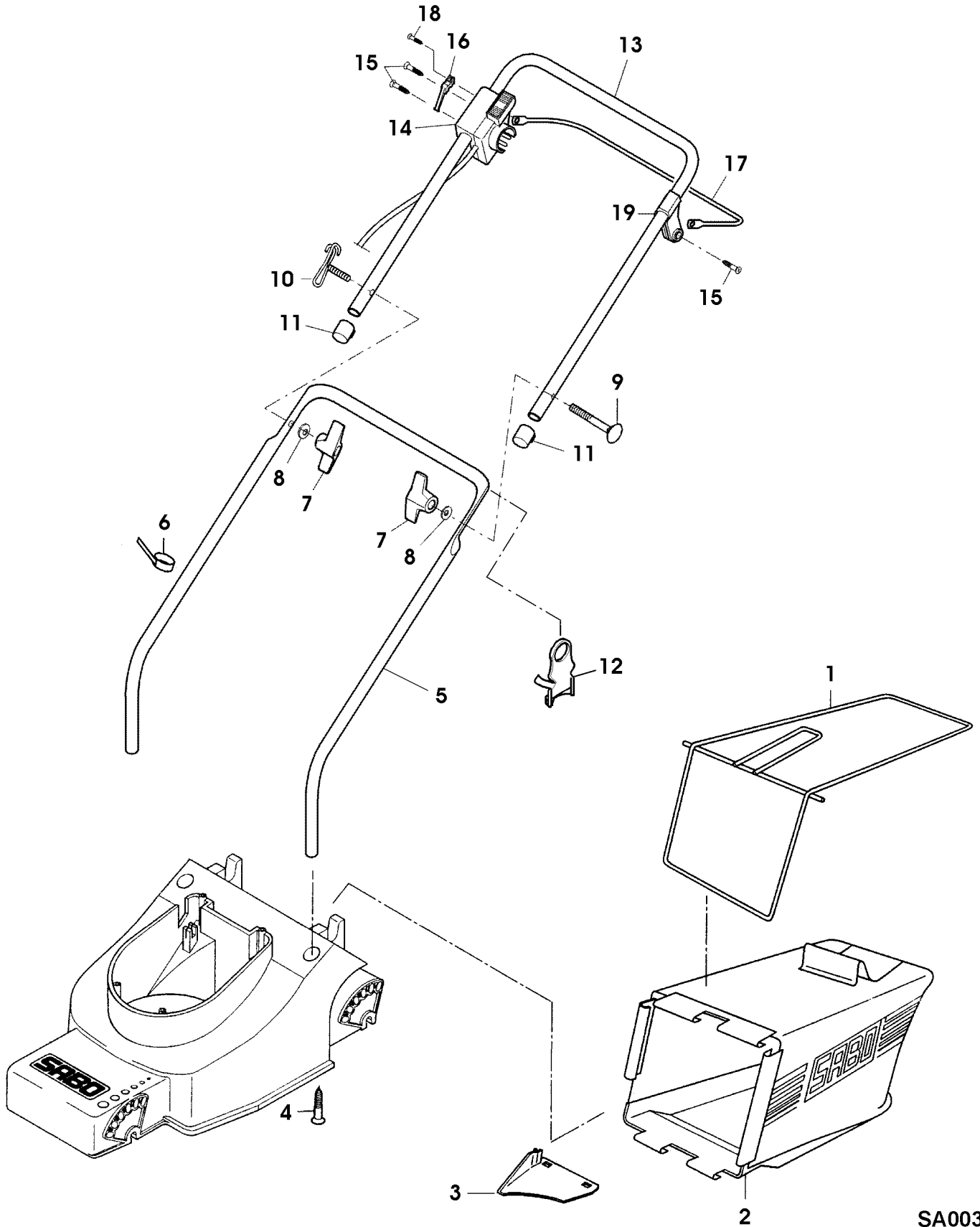
| TEIL | STCK.NR  | BEZEICHNUNG  | STCK. | SER-NR.- | -SER-NR. | BEMERKUNG                     |
|------|----------|--------------|-------|----------|----------|-------------------------------|
| 1    |          | ELEKTROMOTOR | 1     |          |          | 1100 W, NSEP (ORDER SAA11070) |
| 2    | SAU10328 | KABELBAUM    | 1     |          |          |                               |
| 3    | SAU10228 | SCHRAUBE     | 4     |          |          | K 70X50                       |
| 4    | SAU10200 | RING         | 1     |          |          |                               |
| 5    | SAU10388 | SCHRAUBE     | 1     |          |          |                               |
| 6    | SAU11296 | KONDENSATOR  | 1     |          |          | 12MY/F                        |
| 7    | SAU11310 | SCHEIBE      | 1     |          |          | 8,4X40X3                      |
| 8    | SAA11070 | ELEKTROMOTOR | 1     |          |          | ASSY SUB FOR SAA10444         |



SA003835



| TEIL | STCK.NR  | BEZEICHNUNG                                    | STCK. | SER-NR.- | -SER-NR. | BEMERKUNG            |
|------|----------|--|-------|----------|----------|----------------------|
| 1    | SAA34870 | KLAPPE   | 1     |          |          | ASSY INCL KEYS 2,3,4 |
| 2    | SA30467  | BOLZEN   | 1     |          |          |                      |
| 3    | SA34370  | ACHSE  | 1     |          |          |                      |
| 4    | SA34865  | FEDER  | 1     |          |          |                      |
| 5    | SA34868  | ACHSE  | 1     |          |          | FRONT                |
| 6    | SA37285  | DECKEL   | 4     |          |          | (SUB FOR SA37145)    |
| 7    | SAU13494 | FEDERKLEMME                                    | 4     |          |          | SUB FOR SA35203      |
| 8    | SA35214  | SCHEIBE  | 4     |          |          |                      |
| 9    | SAA37143 | RAD  | 4     |          |          |                      |
| 10   | SA34871  | HALTER   | 2     |          |          | RH                   |
| 11   | SA34872  | HALTER   | 2     |          |          | LH                   |
| 12   | SA34876  | ABDECKUNG                                      | 1     |          |          |                      |
| 13   | SA16267  | SCHRAUBE                                       | 1     |          |          | (A) 4,2X13           |
| 14   | SA34867  | ACHSE  | 1     |          |          | REAR                 |
|      |          | (A) WERDEN NUR NOCH IN<br>PACKMENGEN DELIEFERT |       |          |          |                      |

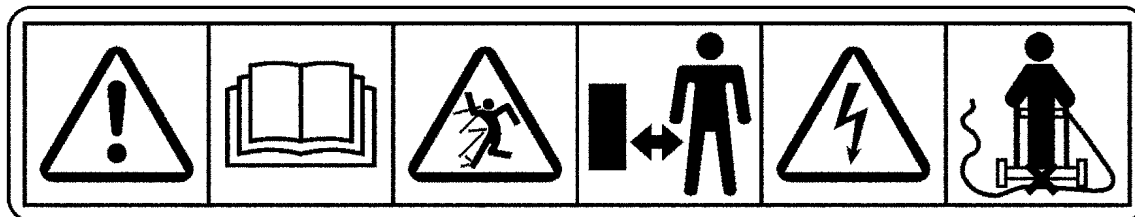


SA003836

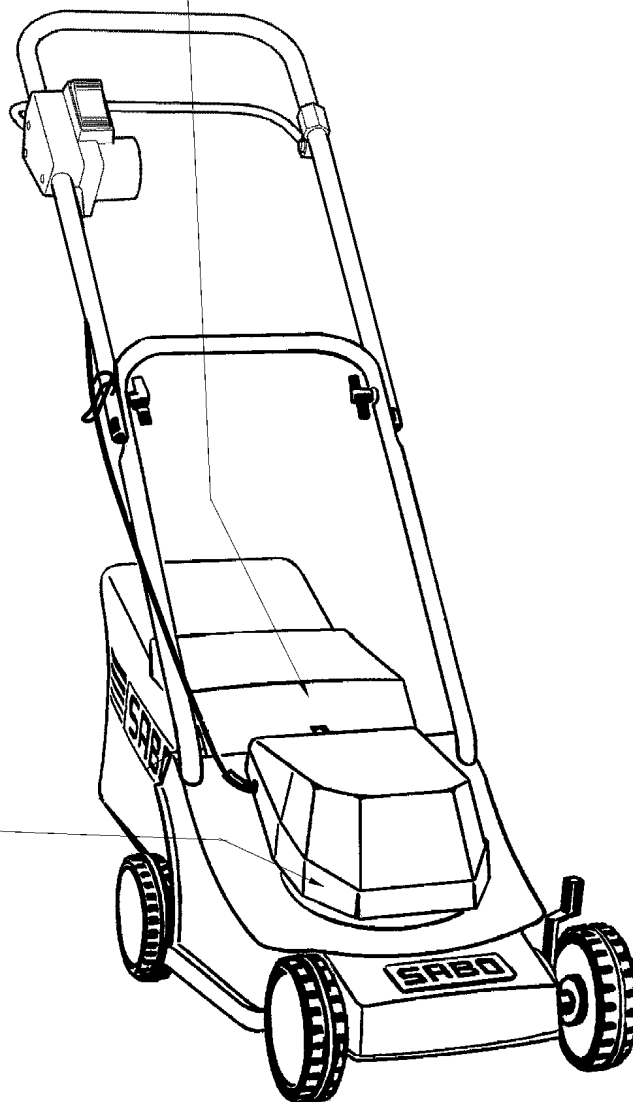


| TEIL | STCK.NR   | BEZEICHNUNG                                    | STCK. | SER-NR.- | -SER-NR. | BEMERKUNG             |
|------|-----------|--|-------|----------|----------|-----------------------|
| 1    | SAA34880  | RAHMEN   | 1     |          |          |                       |
| 2    | SA34859   | GRASFANGBEHAELTER                              | 1     |          |          |                       |
| 3    | SA35074   | RUTSCHE  | 1     |          |          |                       |
| 4    | SAU14510  | SCHRAUBE                                       | 2     |          |          | M5X16 SUB FOR SA15558 |
| 5    | SA36575   | FUEHRUNG                                       | 1     |          |          | LOW                   |
| 6    | RA1000652 | KABELBINDER                                    | 1     |          |          | (SUB FOR SA12505)     |
| 7    | SA31121   | FLÜGELMUTTER                                   | 2     |          |          | (A)                   |
| 8    | SA11243   | UNTERLEGSSCHEIBE                               | 2     |          |          |                       |
| 9    | SAU14262  | SCHRAUBE                                       | 1     |          |          | M6X50 SUB FOR SA15632 |
| 10   | SAU12235  | FUEHRUNG                                       | 1     |          |          | M6 SUB FOR SA35190    |
| 11   | SAU14897  | KAPPE  | 2     |          |          | (A) SUB FOR SA15893   |
| 12   | SA35998   | KABELHALTER                                    | 1     |          |          |                       |
| 13   | SA36420   | LENKSTANGE                                     | 1     |          |          | UP                    |
| 14   | SAU13928  | KABELBAUM, ELEKTROMOTOR-                       | 1     |          |          | SUB FOR SAU10203      |
| 15   | SA16267   | SCHRAUBE                                       | 4     |          |          | (A) 4,2X13            |
| 16   | SA35202   | HALTER   | 1     |          |          |                       |
| 17   | SAA11416  | HEBEL  | 1     |          |          | SUB FOR SAA36574      |
| 18   | SA17249   | SCHRAUBE                                       | 1     |          |          | B4,8X13               |
| 19   | SA34522   | LAGER  | 1     |          |          |                       |
|      |           | (A) WERDEN NUR NOCH IN<br>PACKMENGEN GELIEFERT |       |          |          |                       |

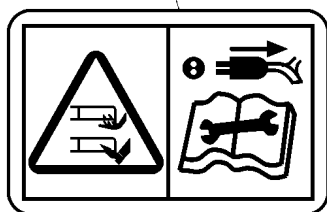




1



2



SA003239



| TEIL | STCK.NR | BEZEICHNUNG | STCK. | SER-NR.- | -SER-NR. | BEMERKUNG |
|------|---------|-------------|-------|----------|----------|-----------|
| 1    | SA37529 | AUFKLEBER   | 1     |          |          |           |
| 2    | SA37531 | AUFKLEBER   | 1     |          |          |           |