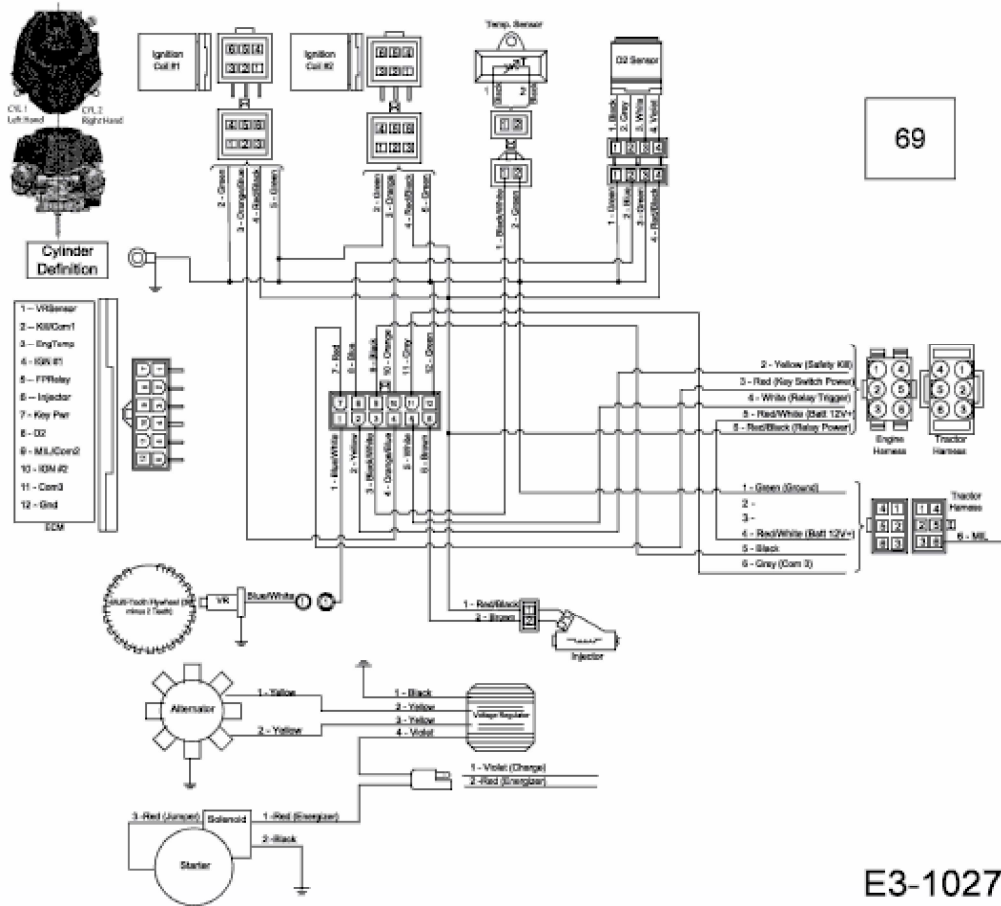


9 Q 78 HU > 752Z9Q78HU (2017) > SCHALTPLAN



69

E3-10275A-02