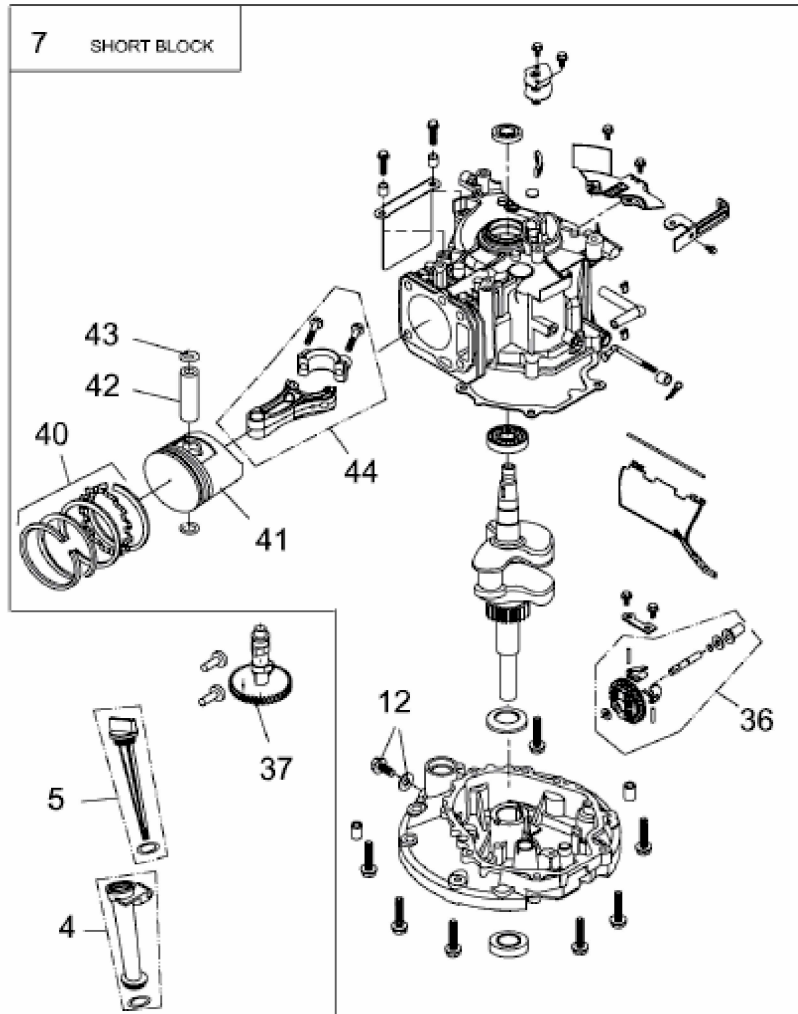


# SHORT BLOCK

Motor / Engine 5P70MO / 5P70MH



E3-04437A-01