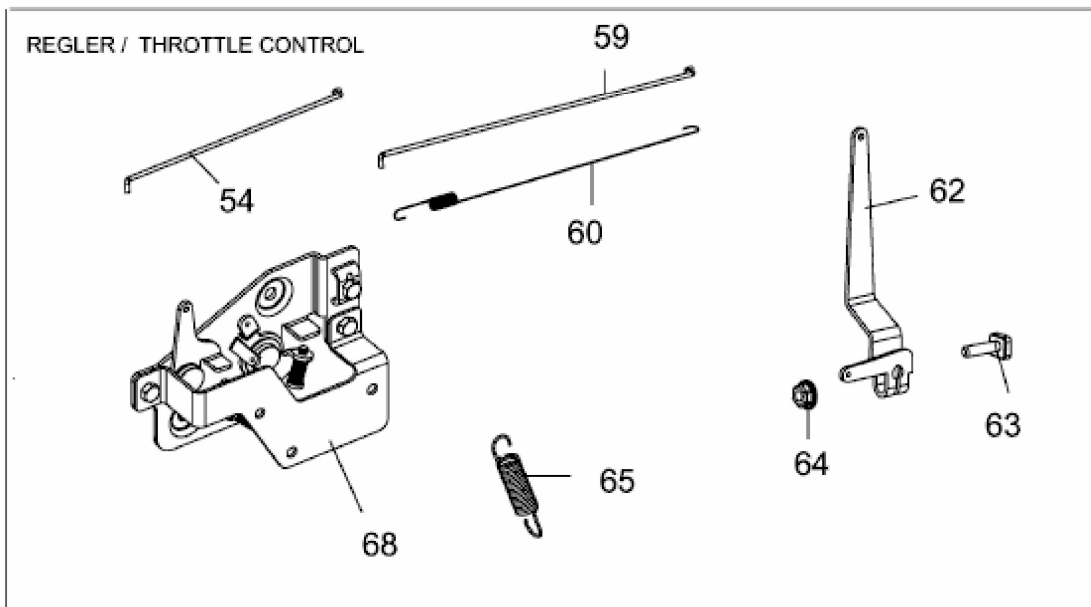


MOTOR / ENGINE 4P90JH , 4P90JHA



E3-07419A-01