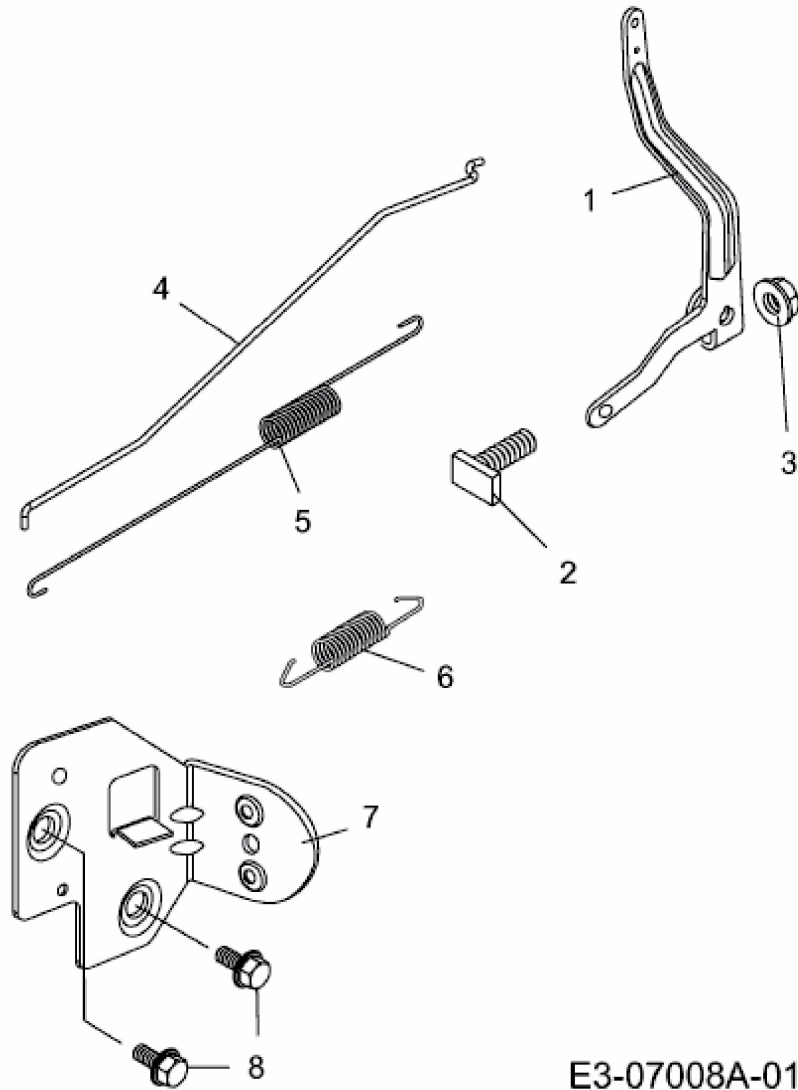


REGLER /  
THROTTLE CONTROL

MOTOR / ENGINE  
2P70MHC , 2P70MHD



E3-07008A-01