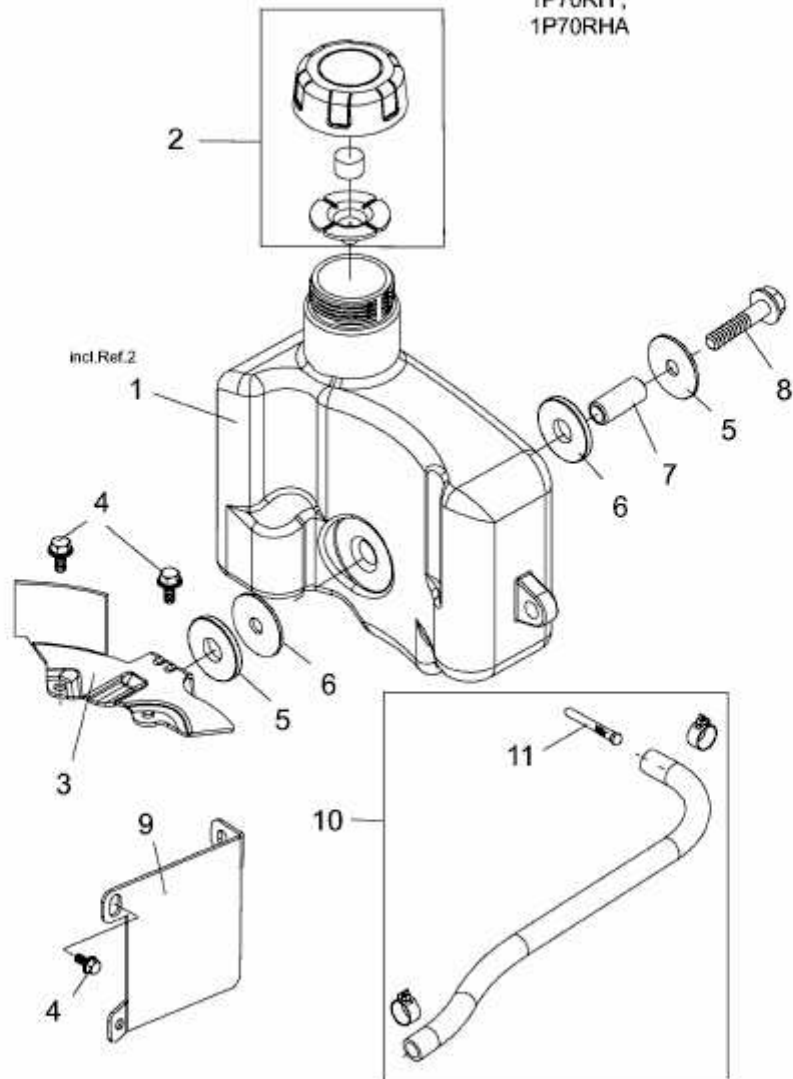


KRAFTSTOFFTANK /
FUEL SYSTEM

Motor / Engine
2P70MHB ,
1P70RH ,
1P70RHA



E3-04493A-01