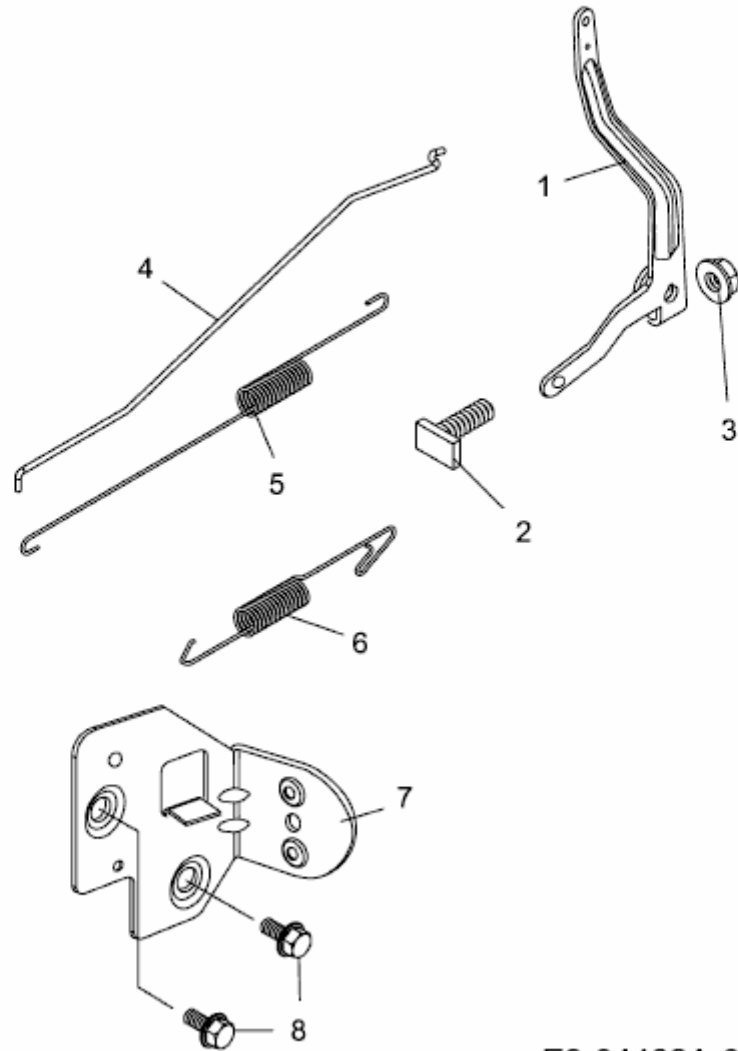


REGLER /
THROTTLE CONTROL

MOTOR / ENGINE
2P70MHB , 1P70RH



E3-04488A-01