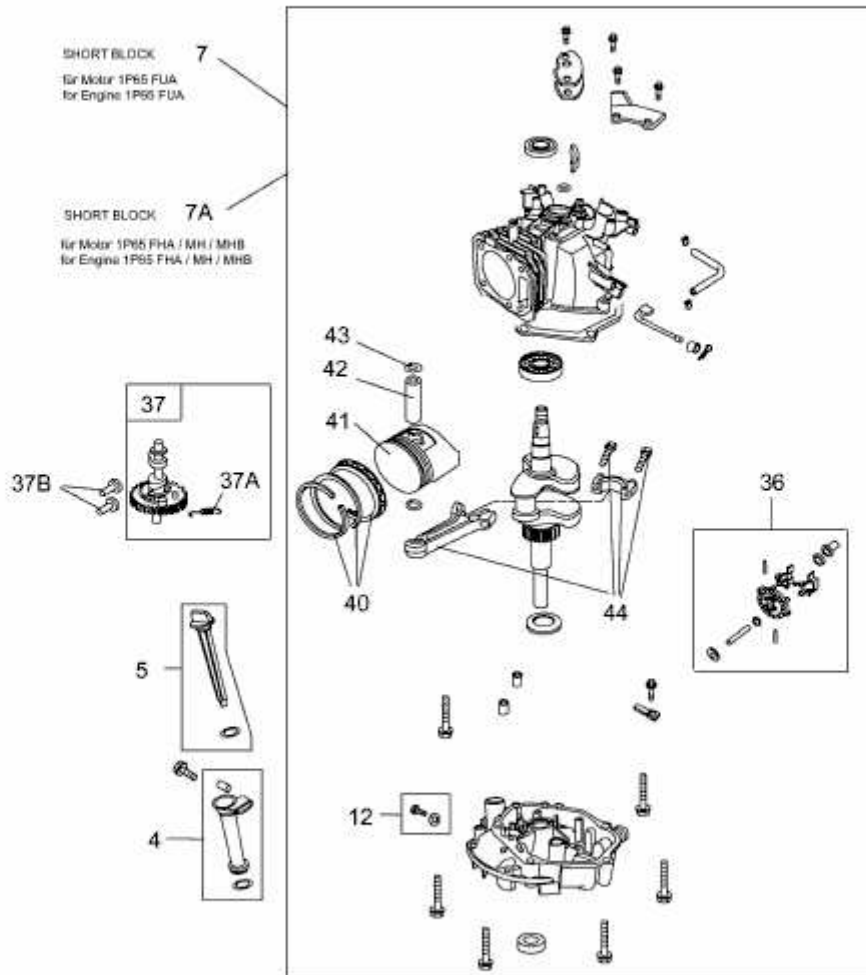


SHORT BLOCK

Motor / Engine
1P65FUA / FHA / MH / MHB



E3-04419A-01