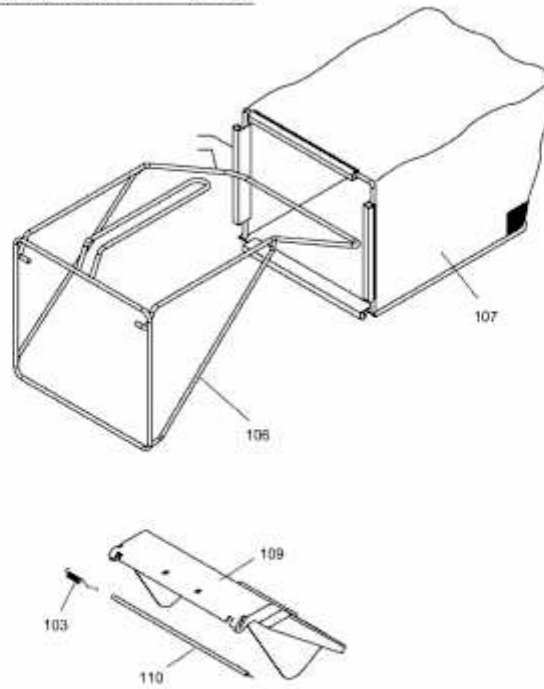


CAMPUS 48 B > 6042000 (2010) > GRASFANGSACK, HECKKLAPPE

CAMPUS 48 B 6042000



E3-06286A-01