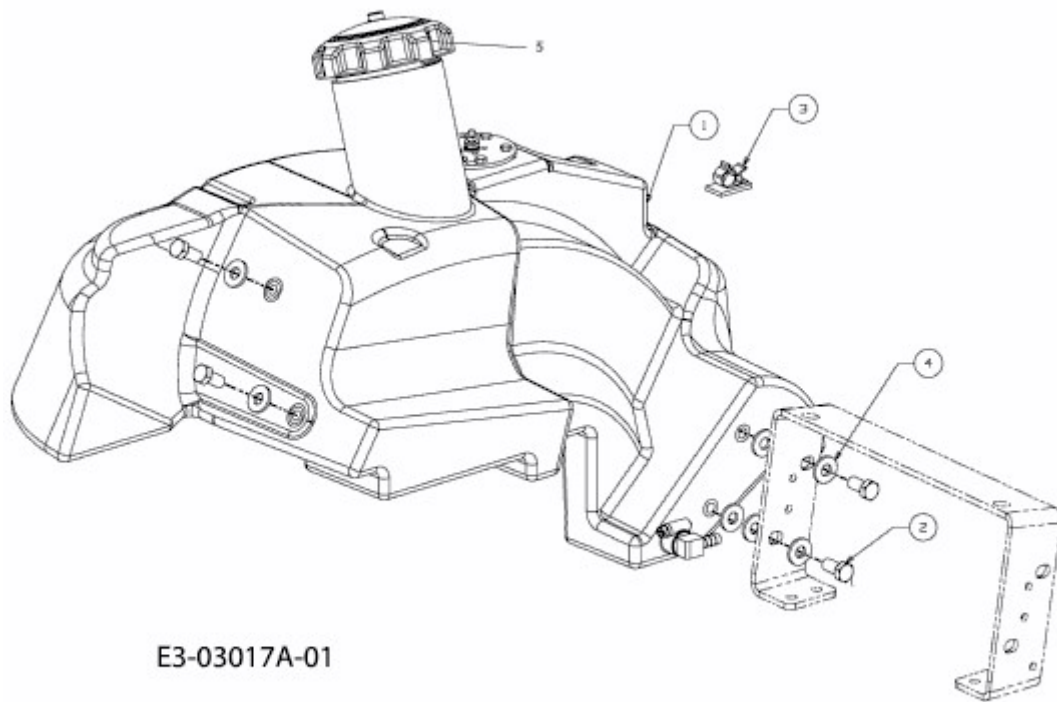


54AE52L-603 (2007) > TANK



E3-03017A-01