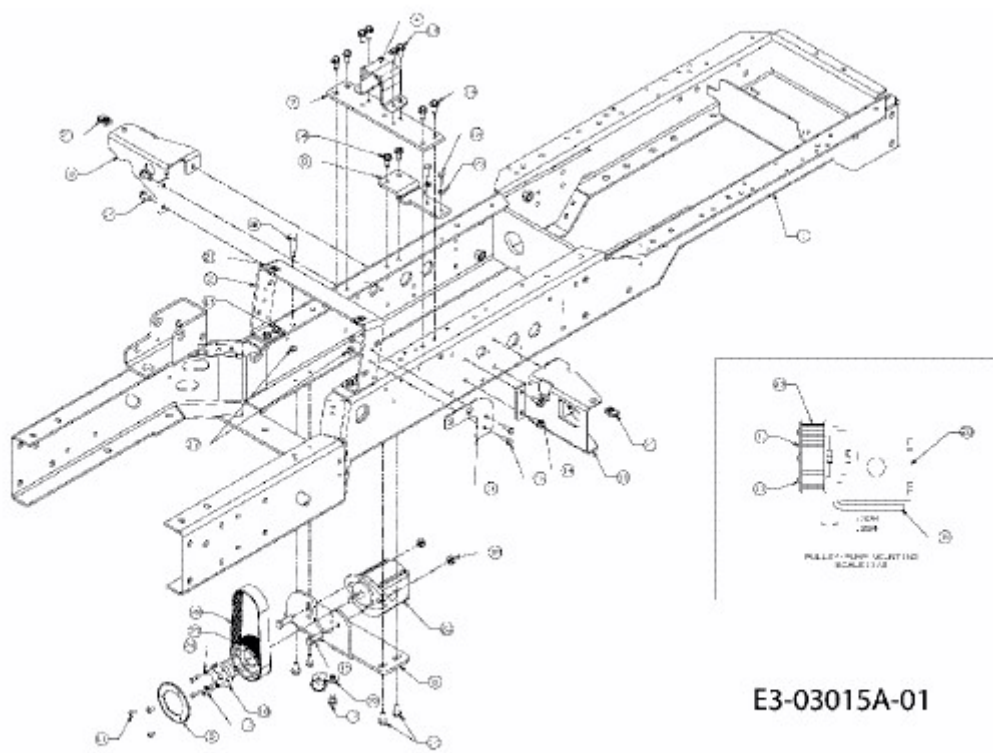


54AE52L-603 (2007) > RAHMEN



E3-03015A-01