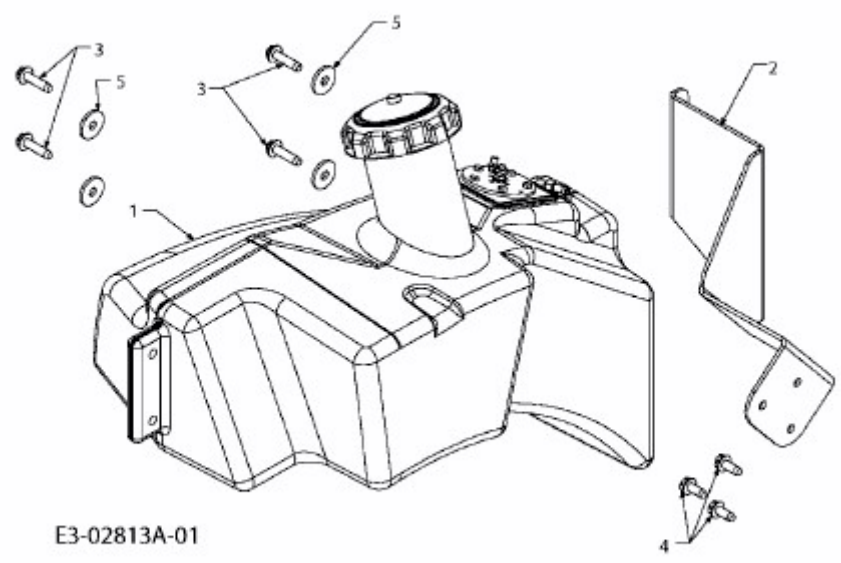


54AD74HD603 (2006) > TANK



E3-02813A-01