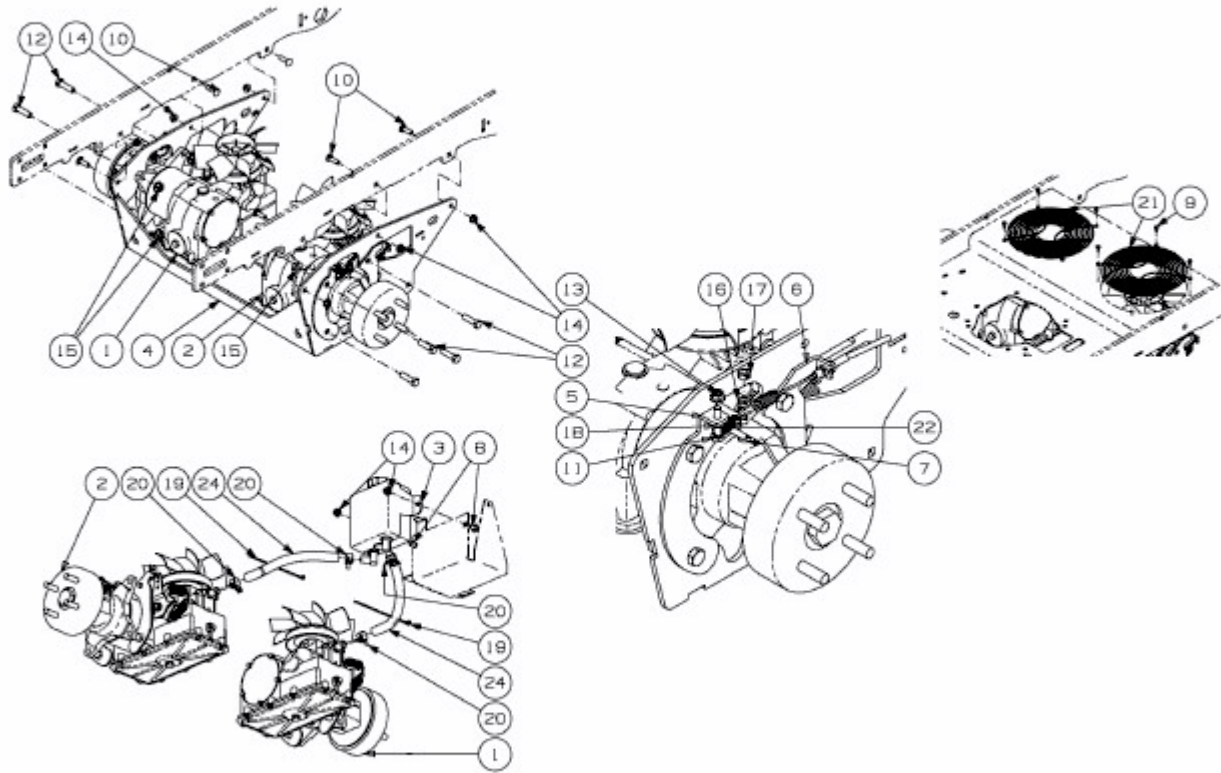


TANK SZ 60 COMMERCIAL > 53RI2PUD050 (2015) > FAHRANTRIEB



E3-08881A-01