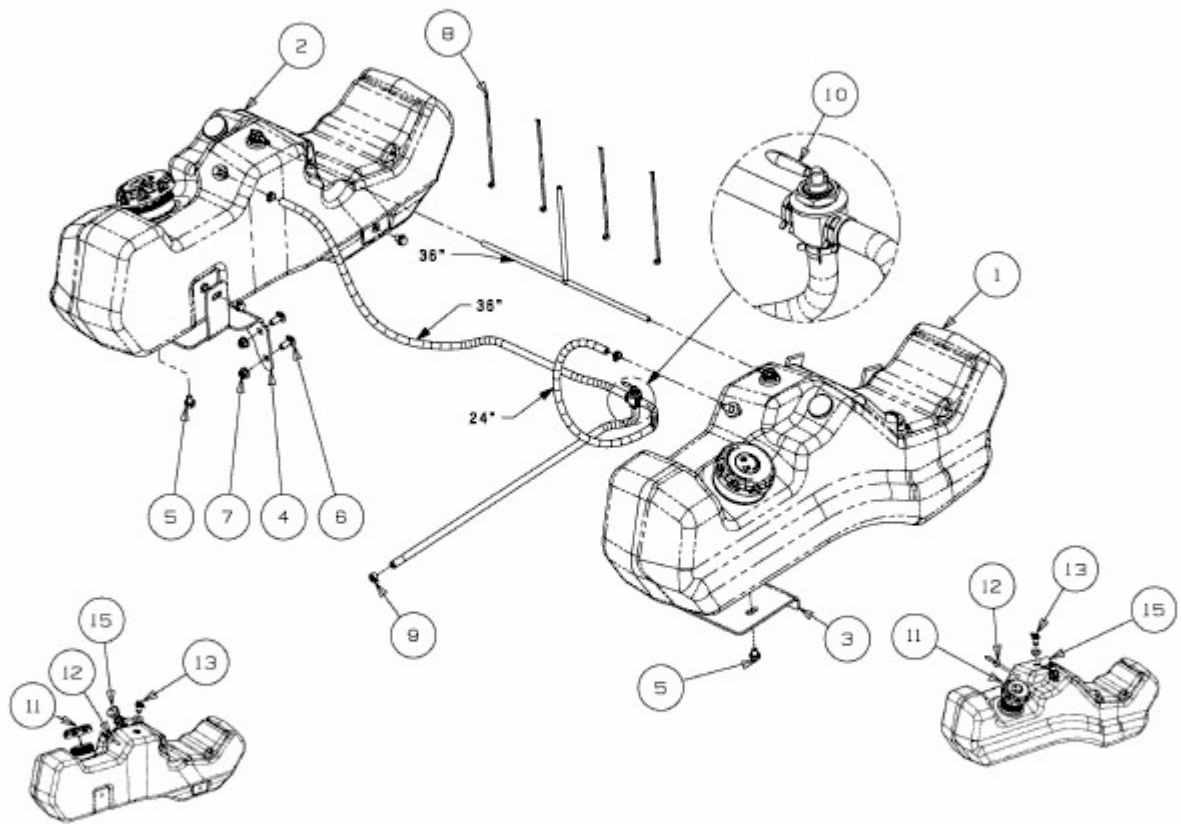


TANK LZ 60 COMMERCIAL > 53BH2PTD330 (2015) > TANK



E3-08872A-01