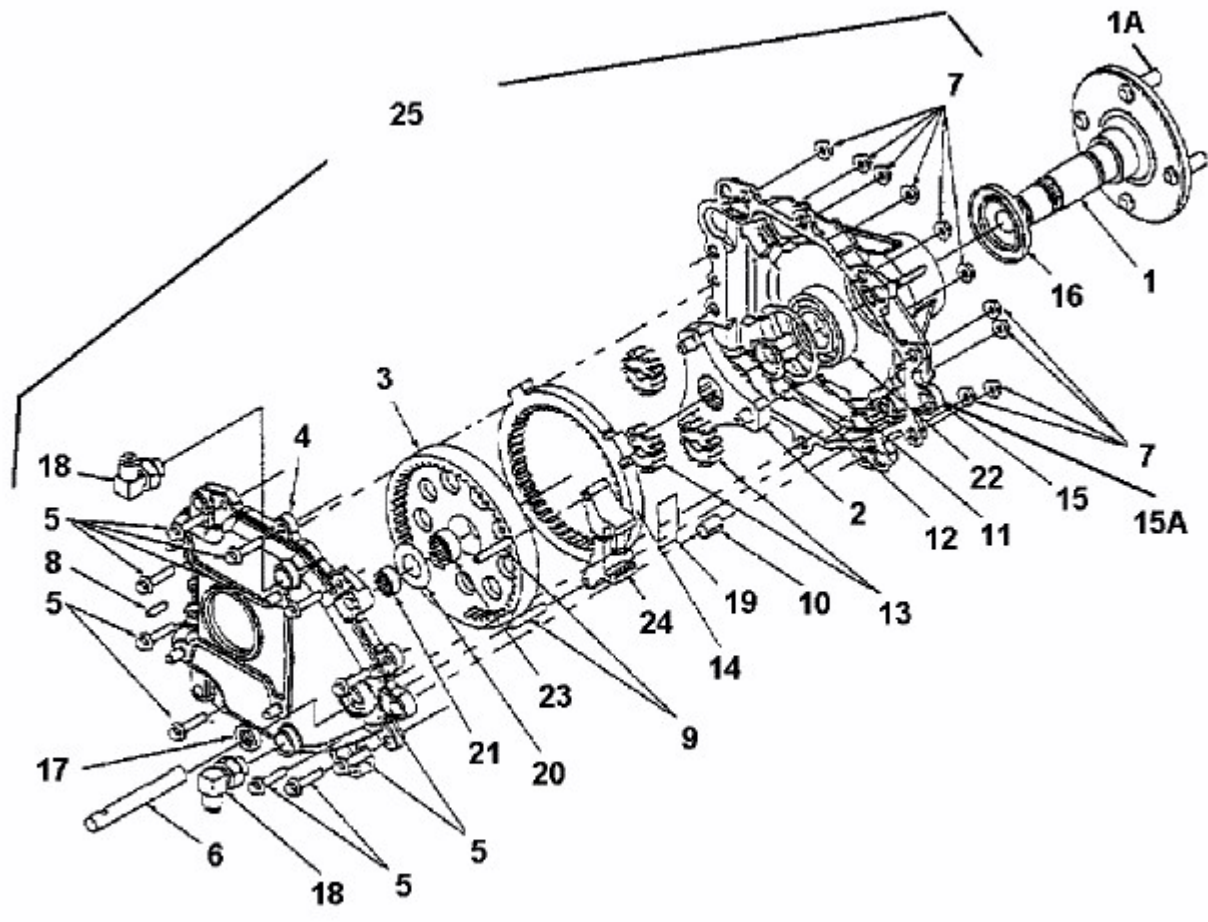


Z 42 > 53BA1B2G603 (1999) > ACHSE, BREMSWELLE, DIFFERENTIAL



E4-00173A-01

fsg