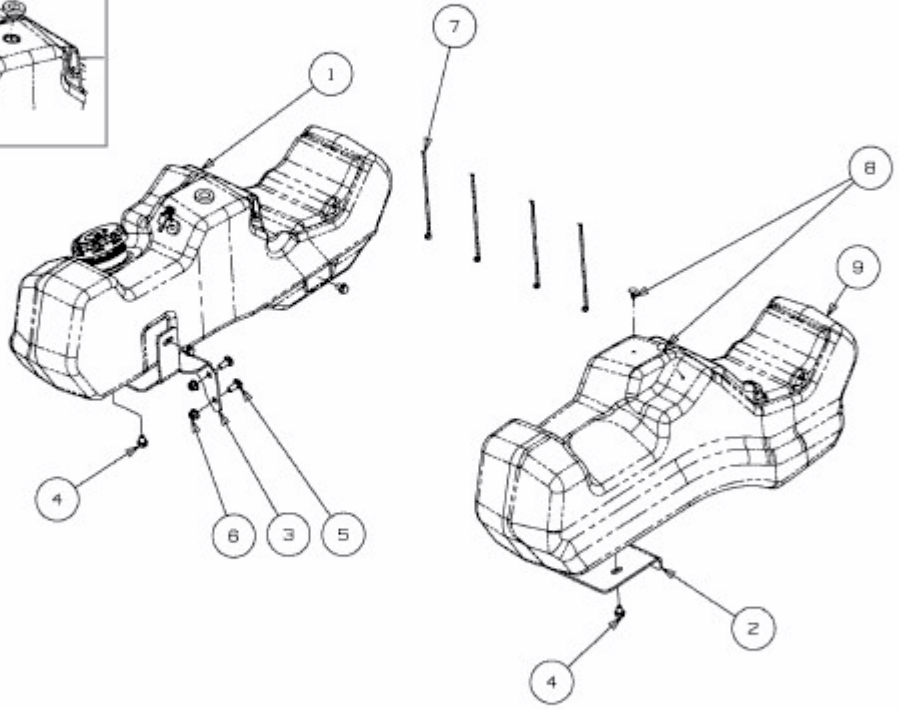
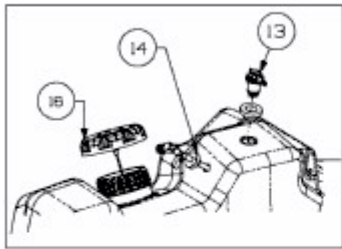


TANK L 60 COMMERCIAL > 53AN2RTD050 (2015) > TANK



E3-09002A-01