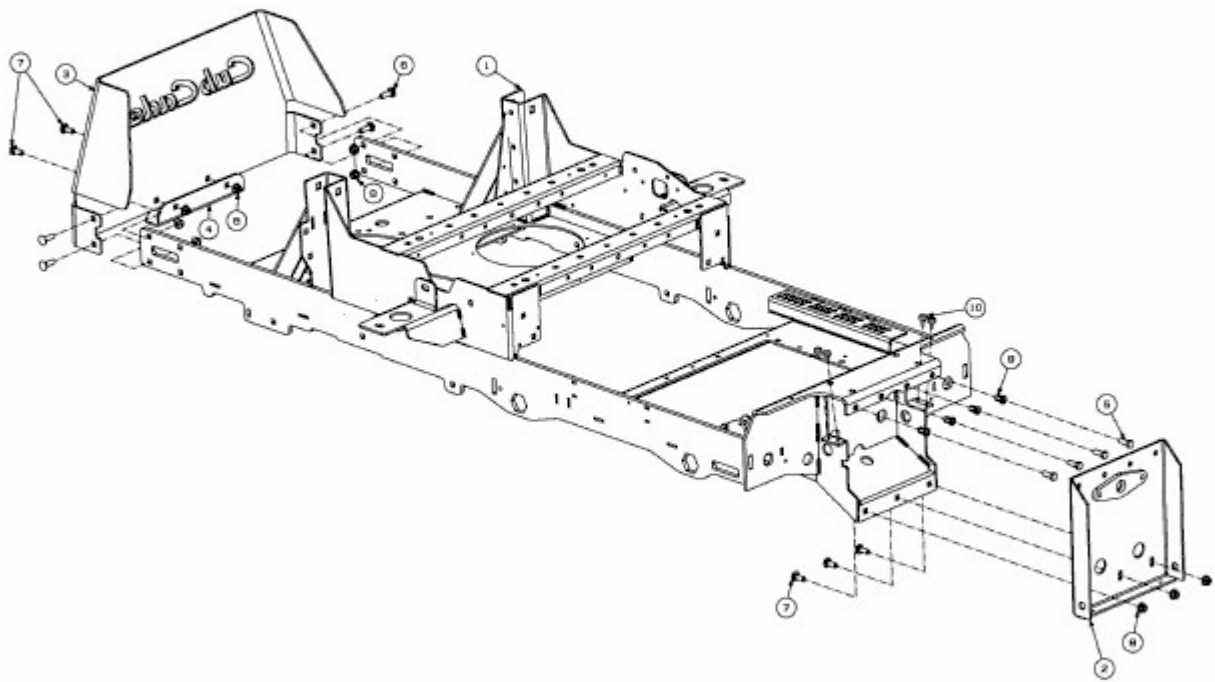


TANK L 60 COMMERCIAL > 53AN2RTD050 (2015) > RAHMEN



E3-09000A-01