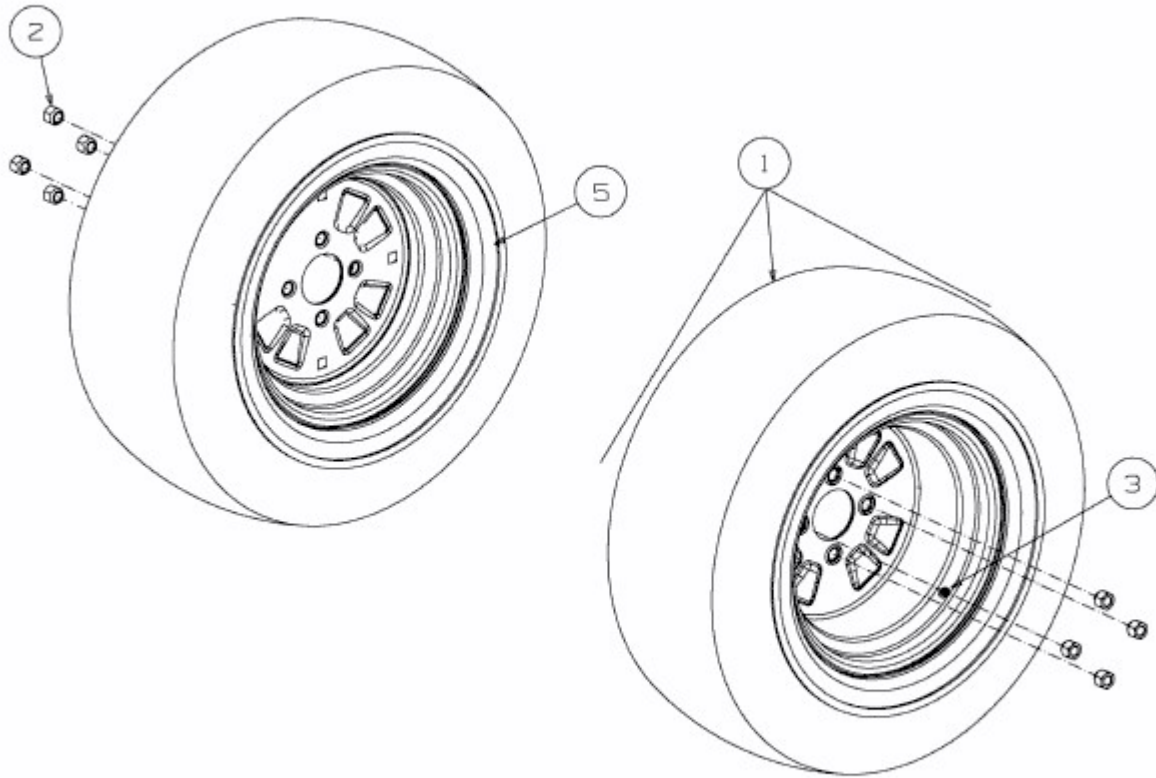


TANK L 60 COMMERCIAL > 53AN2RTD050 (2015) > RÄDER HINTEN 24X9.5



E3-08999A-01