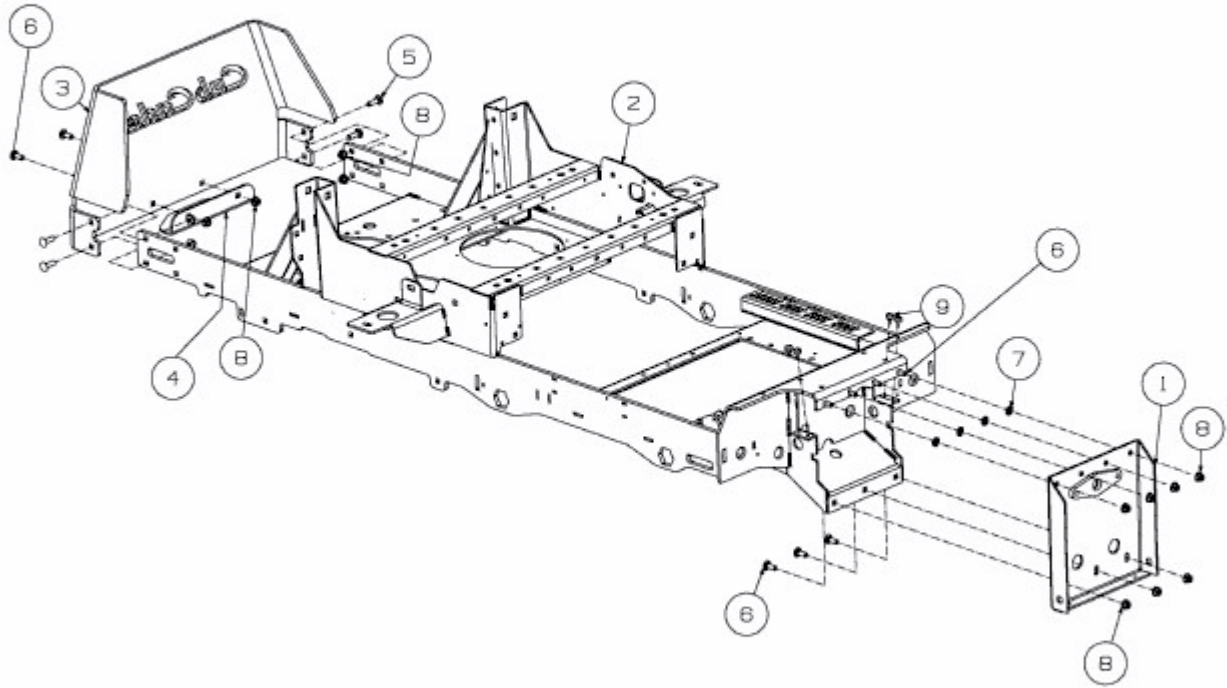


TANK SZ 60 COMMERCIAL > 53AI2PUD330 (2015) > RAHMEN



E3-09266A-01