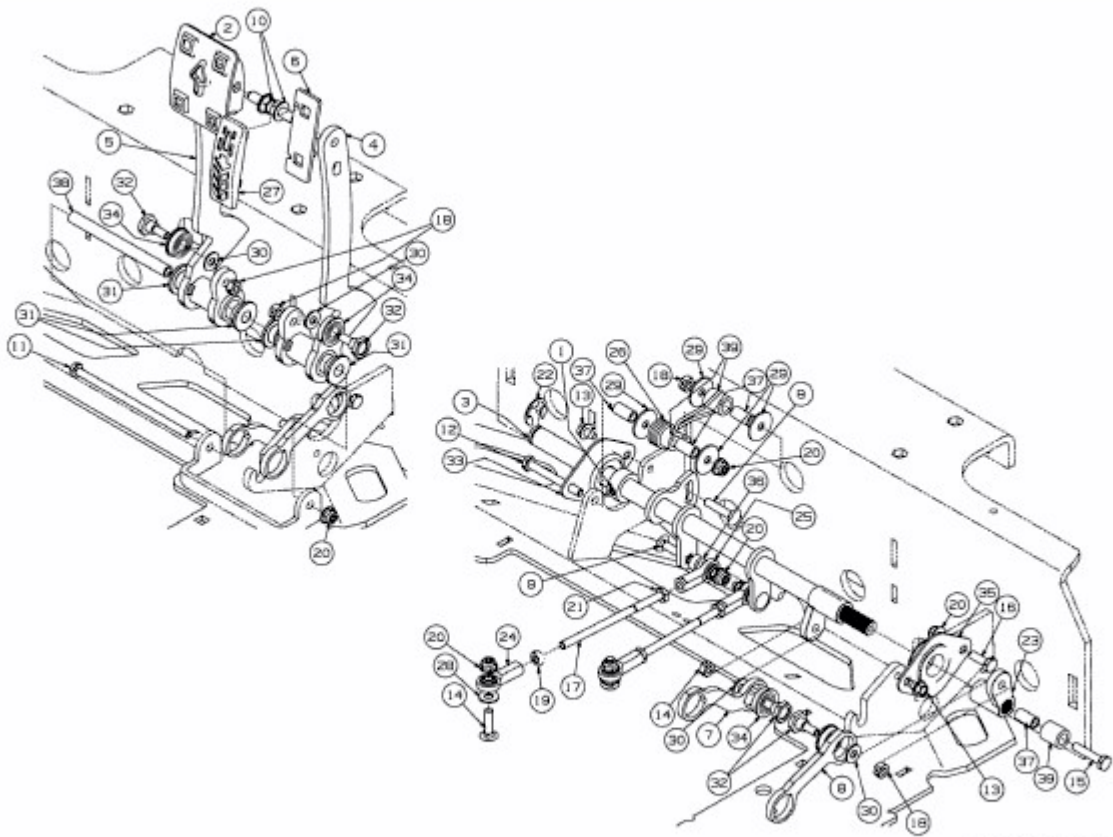


TANK SZ 60 COMMERCIAL > 53AI2PUD330 (2015) > PEDALE



E3-08874A-01