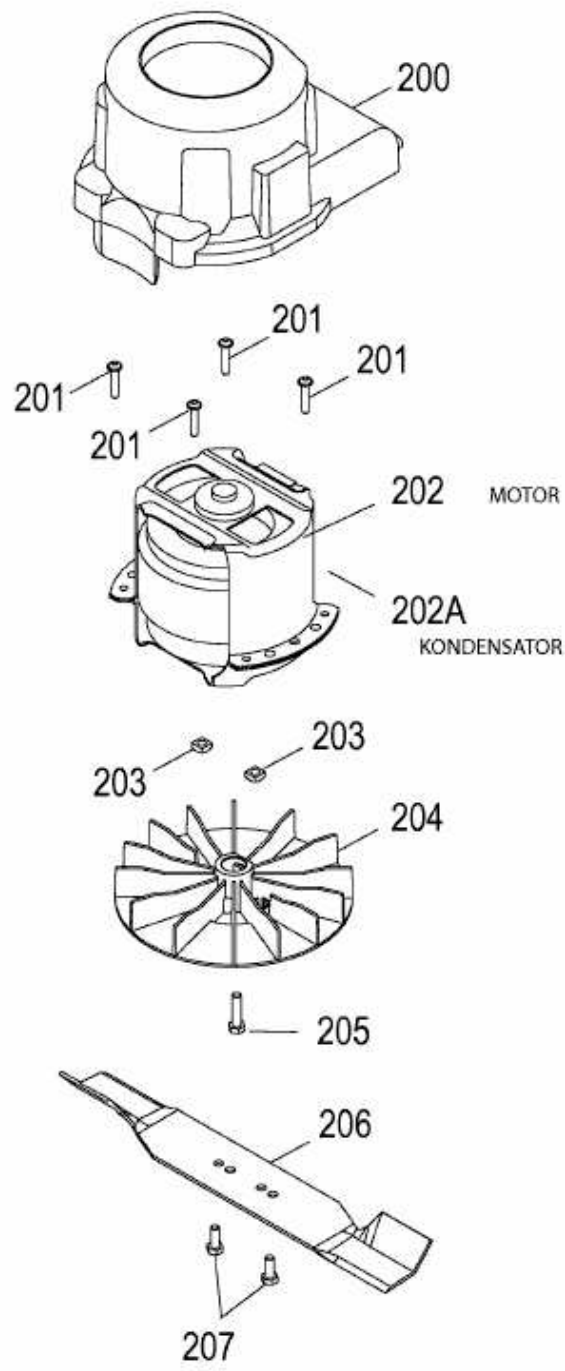


2.32 E-1 > 4905000 (2011) > MESSER, MOTOR



E3-06394A-01