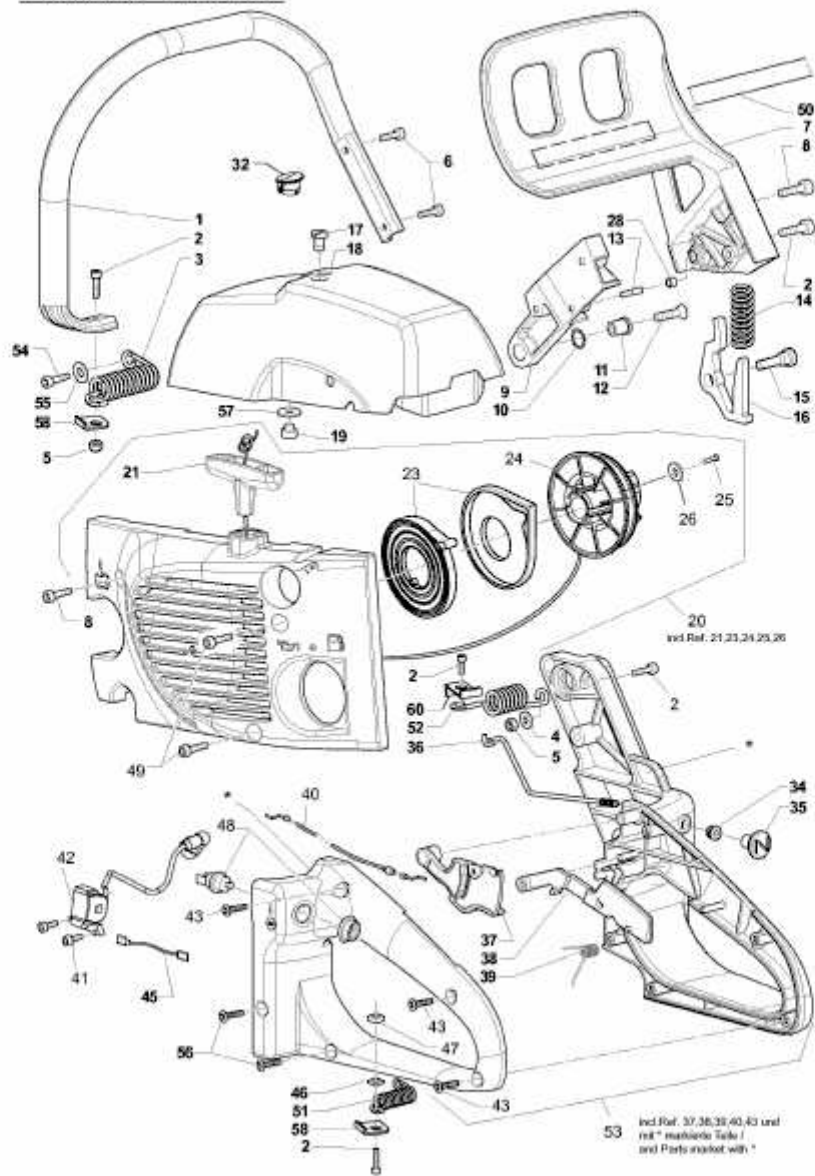


GCS 46/40 C > 41BY4640678 (2011) > HANDGRIFF, MOTORABDECKUNGEN

GCS 46/40 41BY4640678
GCS 46/45 41BY4340678



E3-07252A-01