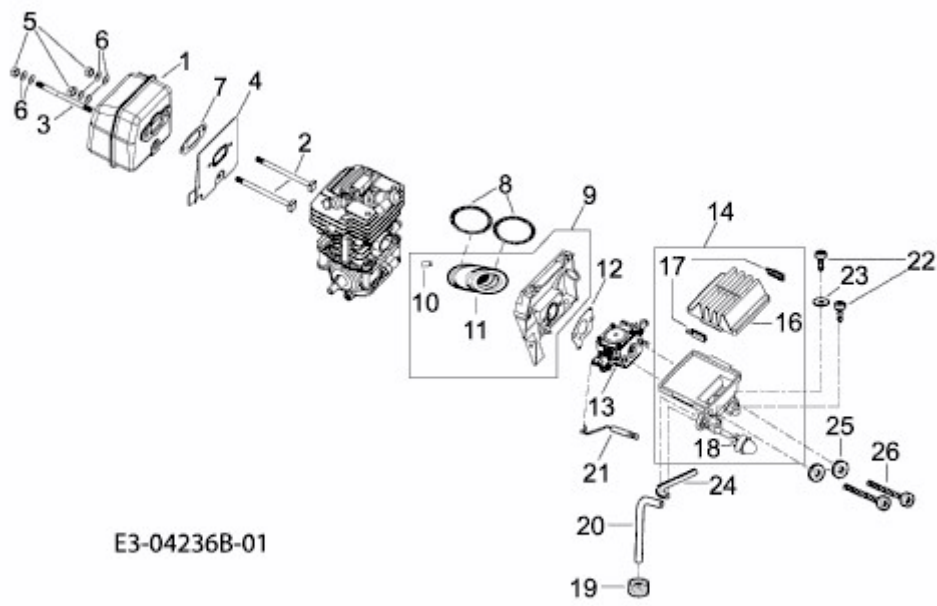


41AY646G603 (2009) > AUSPUFF, LUFTFILTER, VERGASER



E3-04236B-01