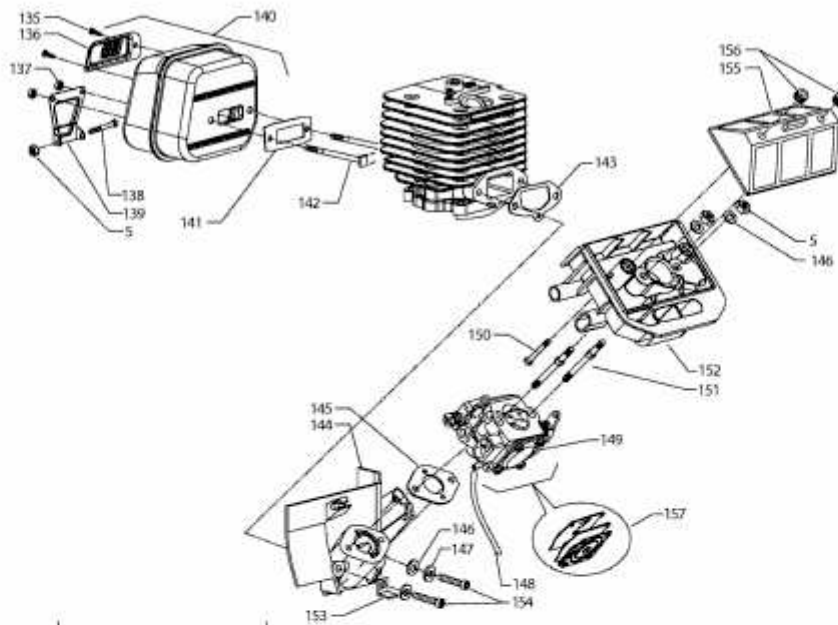


GCS 46/40 C > 41AY4640678 (2010) > AUSPUFF, LUFTFILTER, VERGASER



<b>GCS 46/40 C</b> 41AC4640678 41AY4640678
<b>GCS 46/45 C</b> 41AY4340678

E3-03712A-01