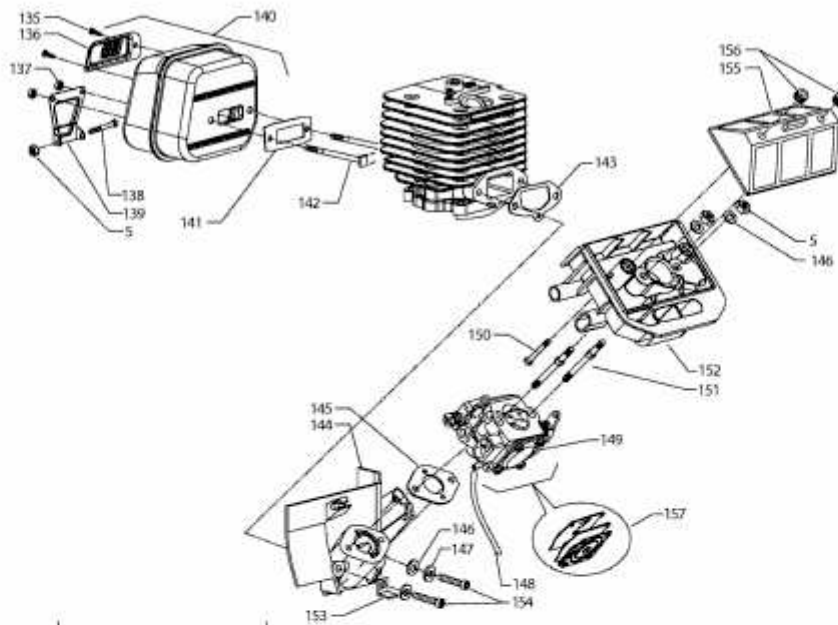


GCS 46/45 C > 41AY4340678 (2009) > AUSPUFF, LUFTFILTER, VERGASER



GCS 46/40 C  
41AC4640678  
41AY4640678

GCS 46/45 C  
41AY4340678

E3-03712A-01