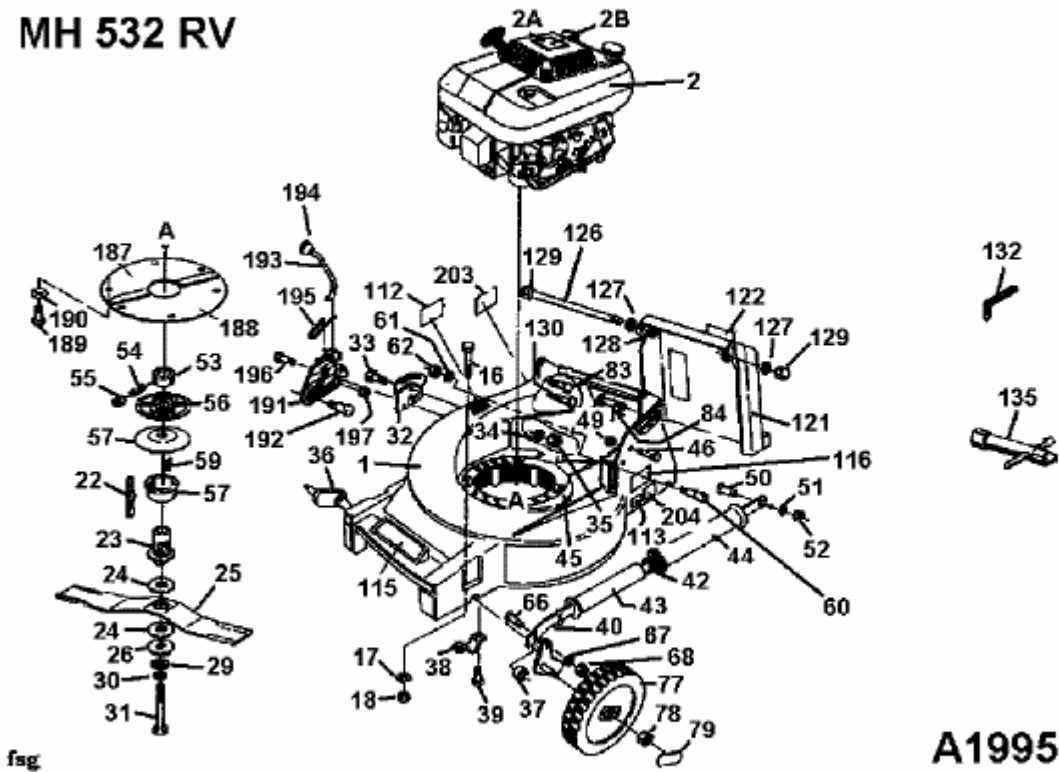


MH 532 RV



A1995-4845-02