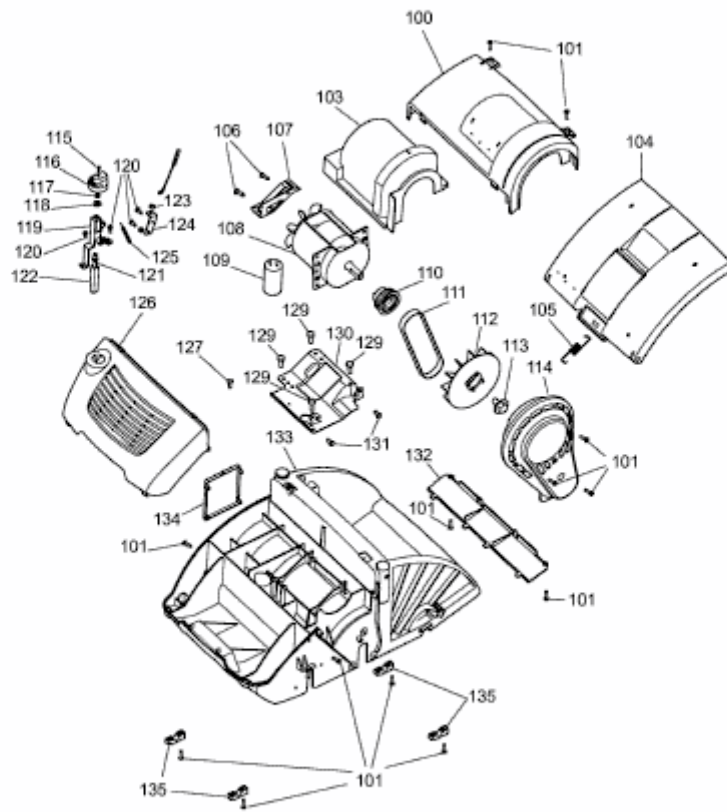


UV 30 EV > 3630680 (2013) > ELEKTROMOTOR, HECKKLAPPE, KEILRIEMEN



E3-06875B-01