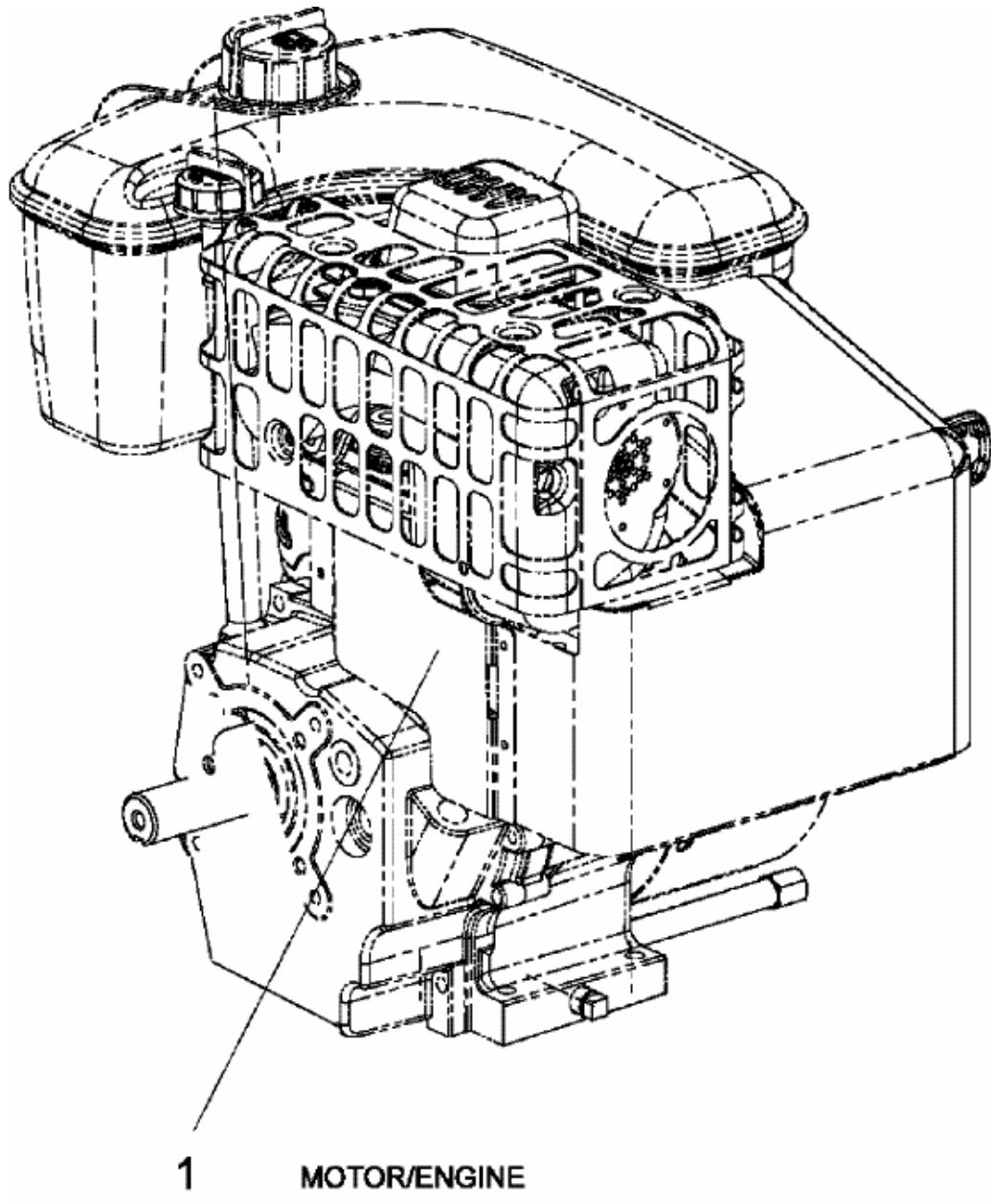


YM 8413 DE > 31AY9PKI643 (2007) > MOTOR



1 MOTOR/ENGINE

E4-01481A-01