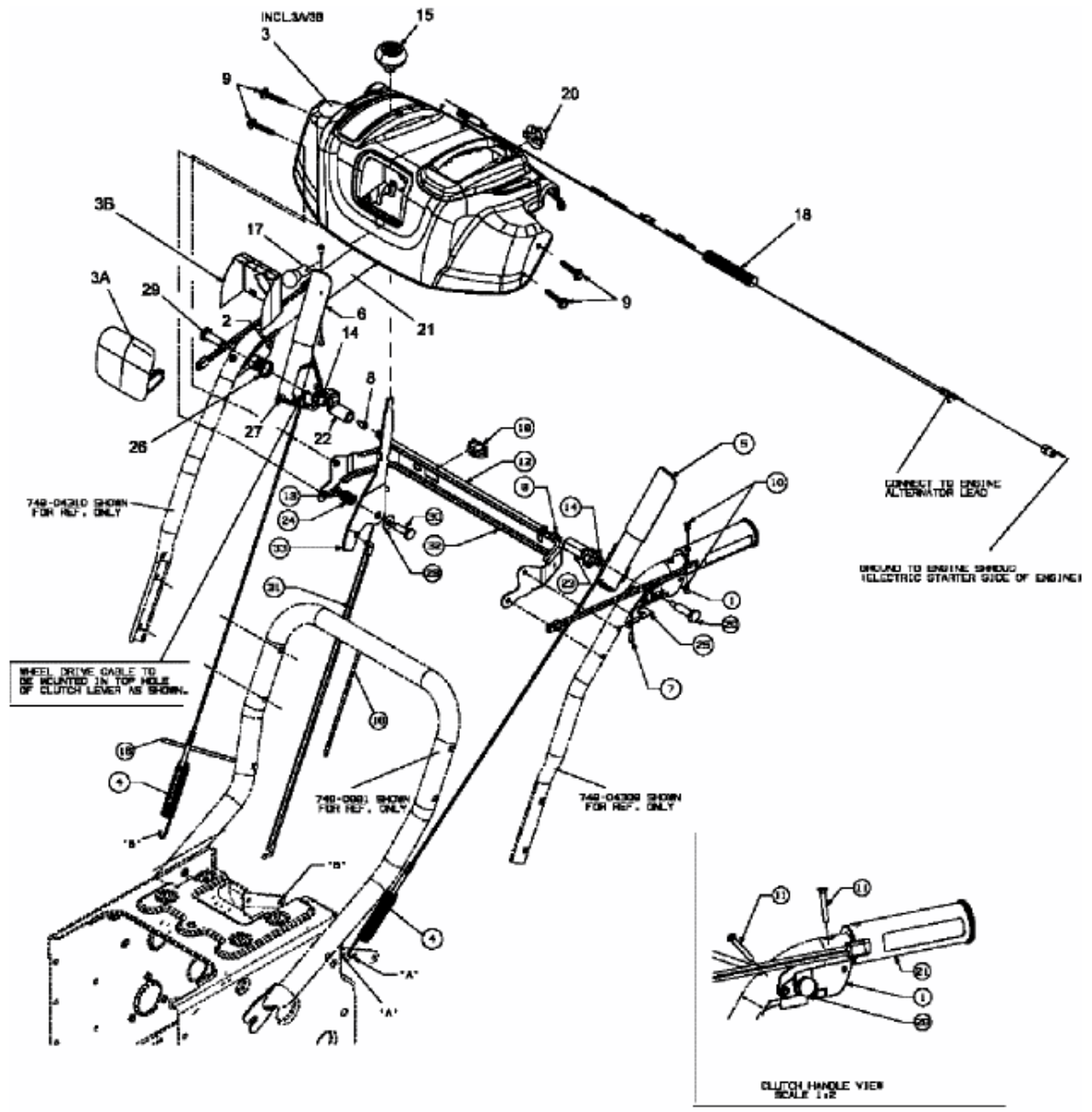


YM 8413 DE > 31AY9PKI643 (2007) > ABDECKUNG ARMATURENBRETT



E4-01443A-01