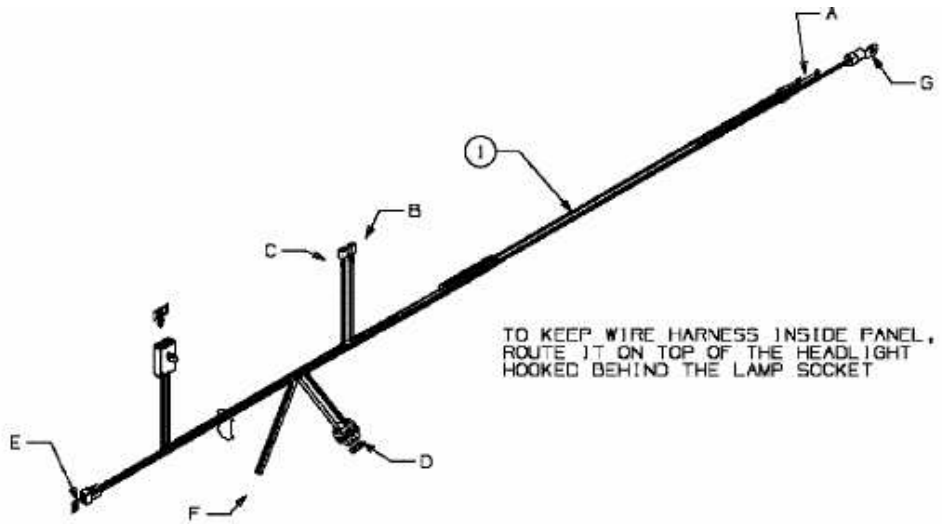
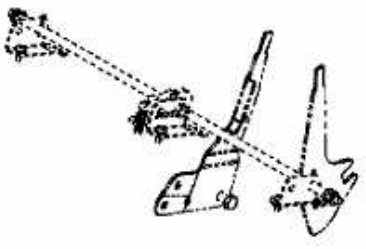
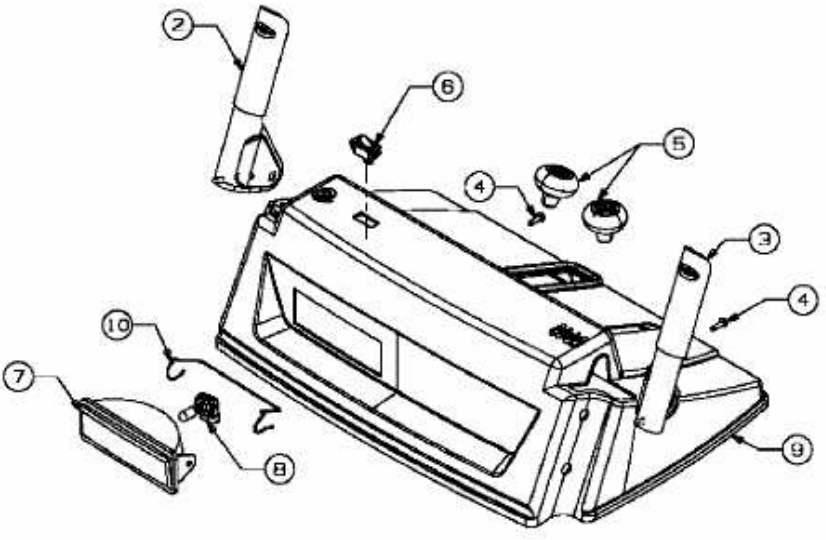


YM 7110 DET > 31AY7R3T643 (2009) > ABDECKUNG ARMATURENBRETT



TO KEEP WIRE HARNESS INSIDE PANEL,  
ROUTE IT ON TOP OF THE HEADLIGHT  
HOOKED BEHIND THE LAMP SOCKET



E4-01442B-01