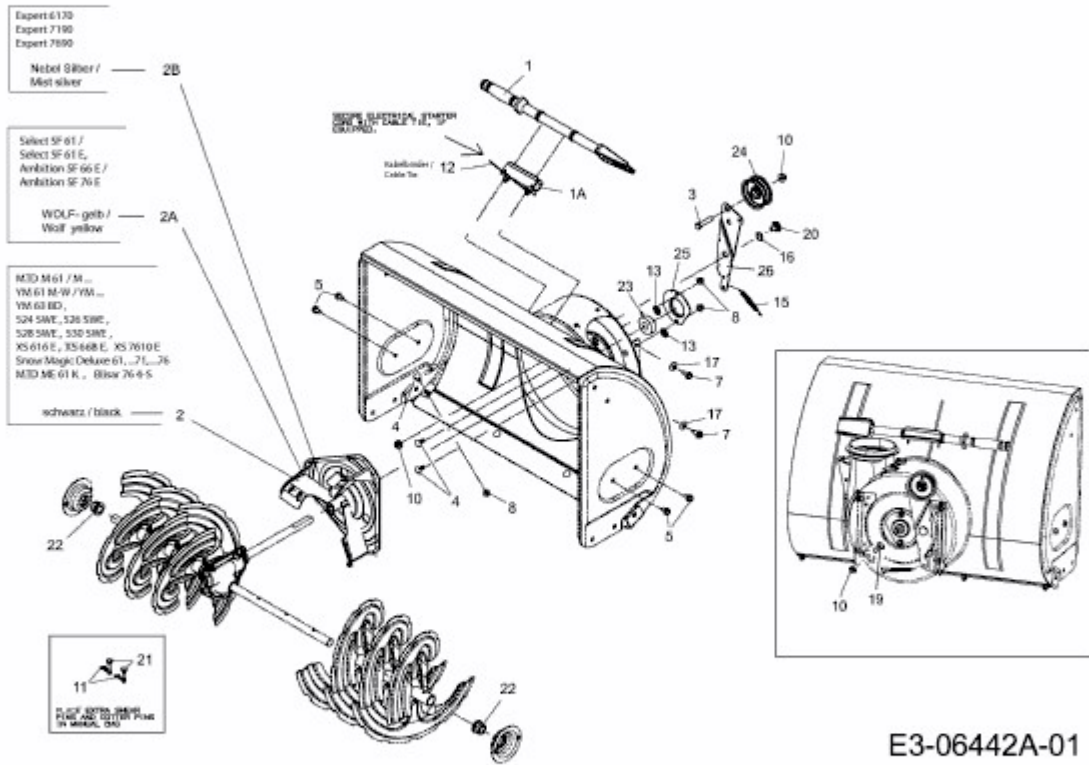


SNOW MAGIC DELUXE 71 > 31AY65LG615 (2012) > SCHAUFELRAD



E3-06442A-01