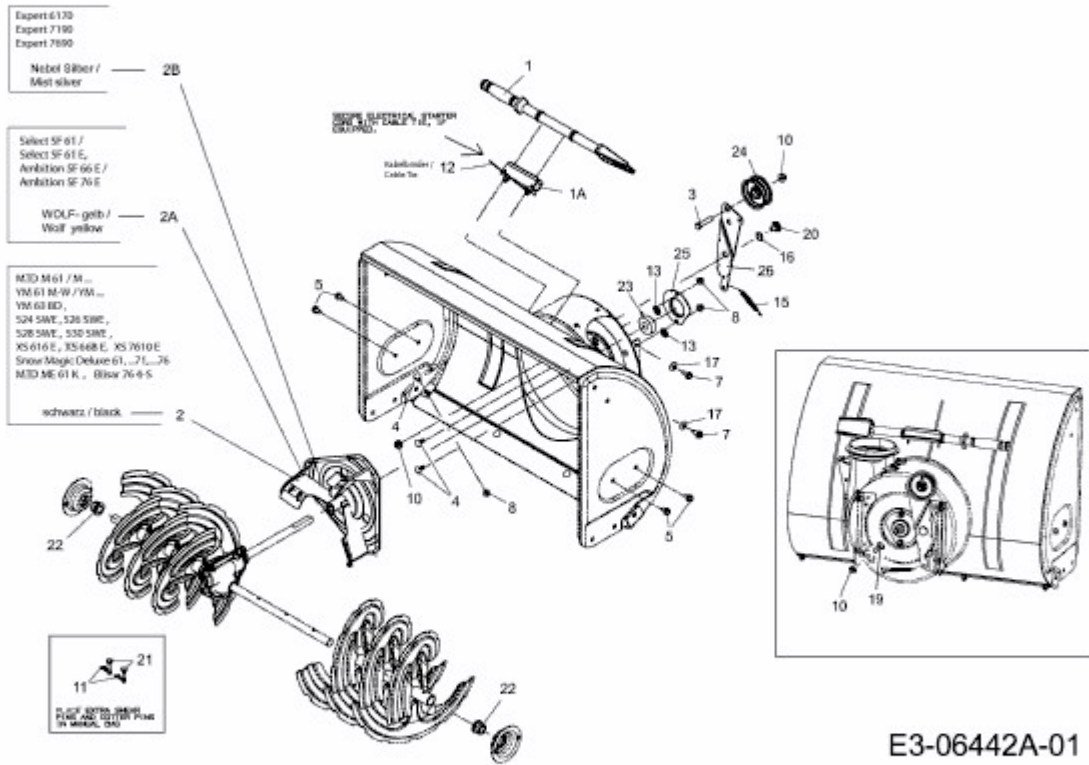


SNOW MAGIC DELUXE 71 > 31AY55LH615 (2014) > SCHAUFELRAD



E3-06442A-01