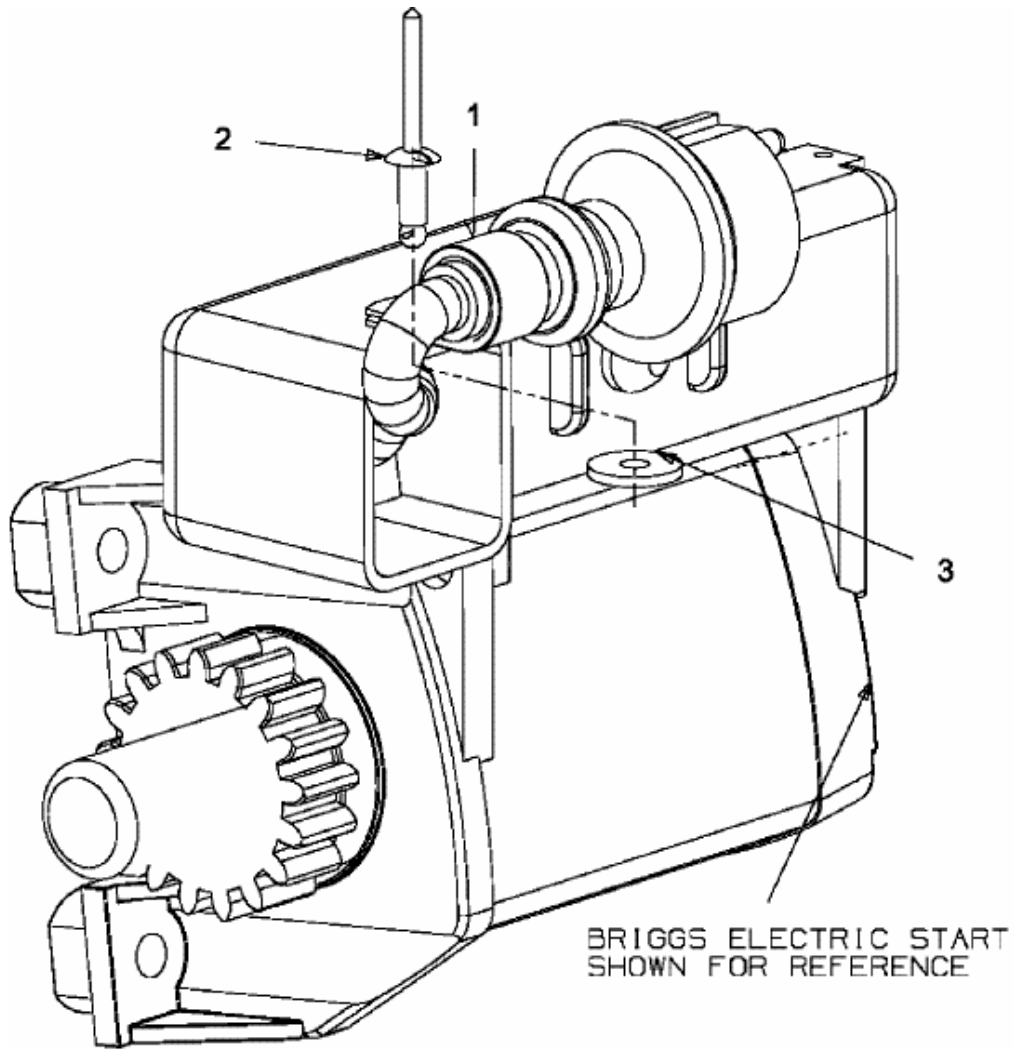


YM 66 M-W > 31AY54LS643 (2011) > HALTESCHELLE



BRIGGS ELECTRIC START
SHOWN FOR REFERENCE

E4-02157A-01