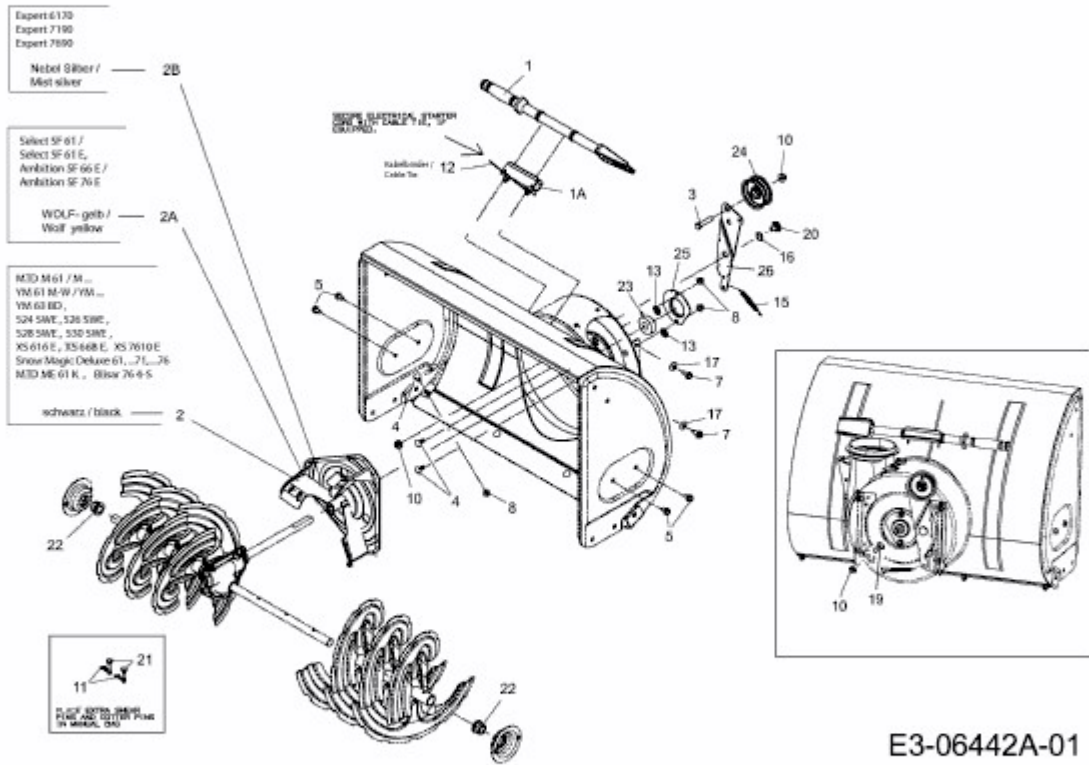


SNOW MAGIC DELUXE 61 > 31AW63LE615 (2014) > SCHAUFELRAD



E3-06442A-01