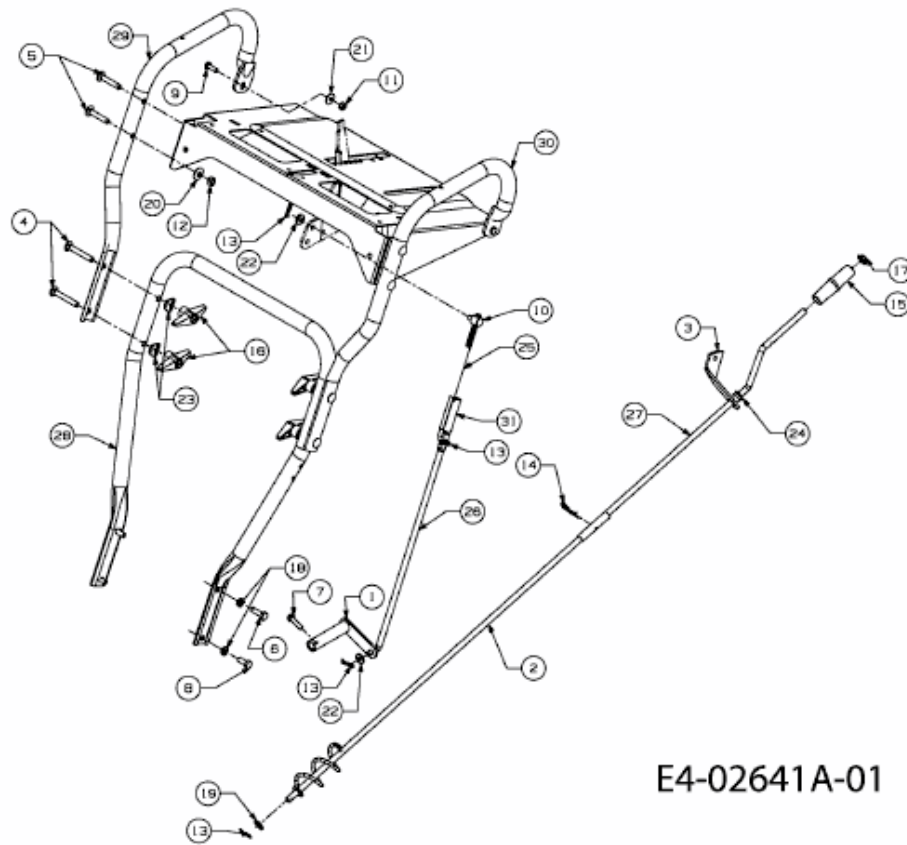


E 5 E 3 G > 31AE5E3G643 (2001) > HOLM



E4-02641A-01