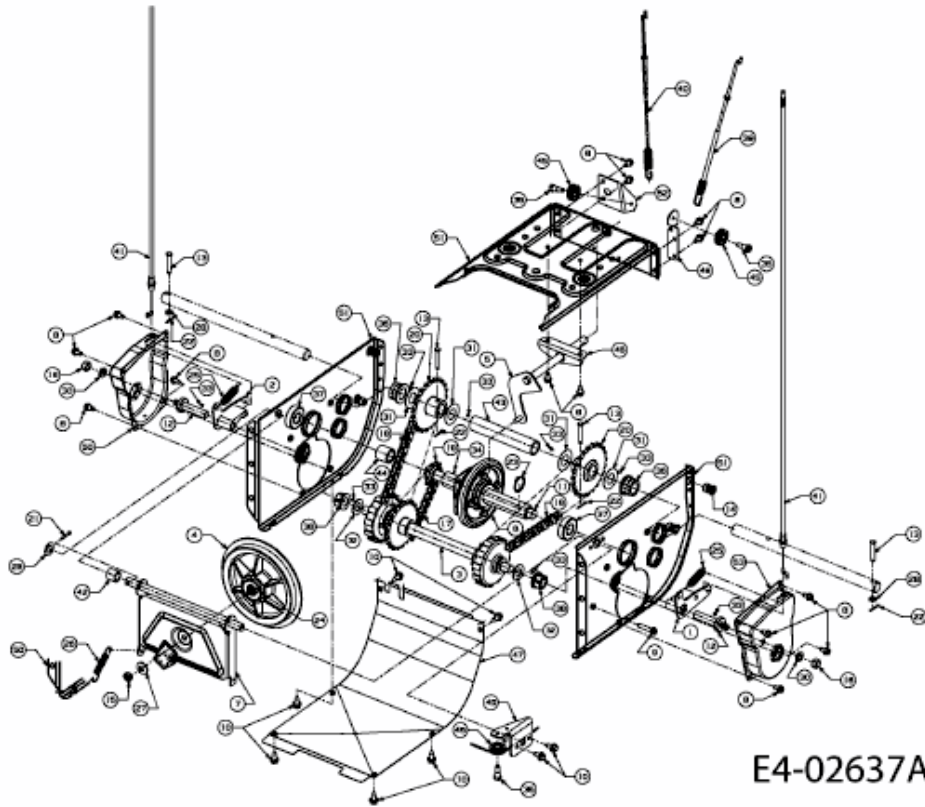


E 5 E 3 G > 31AE5E3G643 (2001) > FAHRANTRIEB



E4-02637A-01