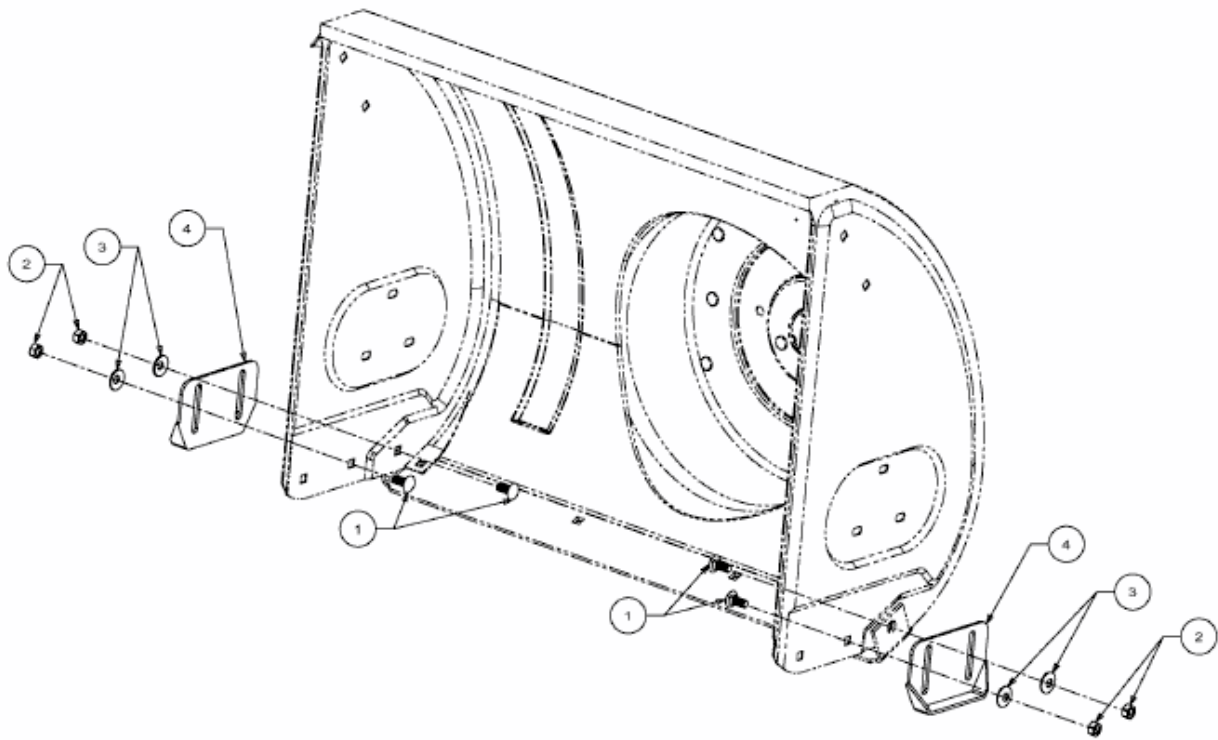


E 5 E 3 G > 31AE5E3G643 (2001) > GLEITKUFE



E4-02634A-01