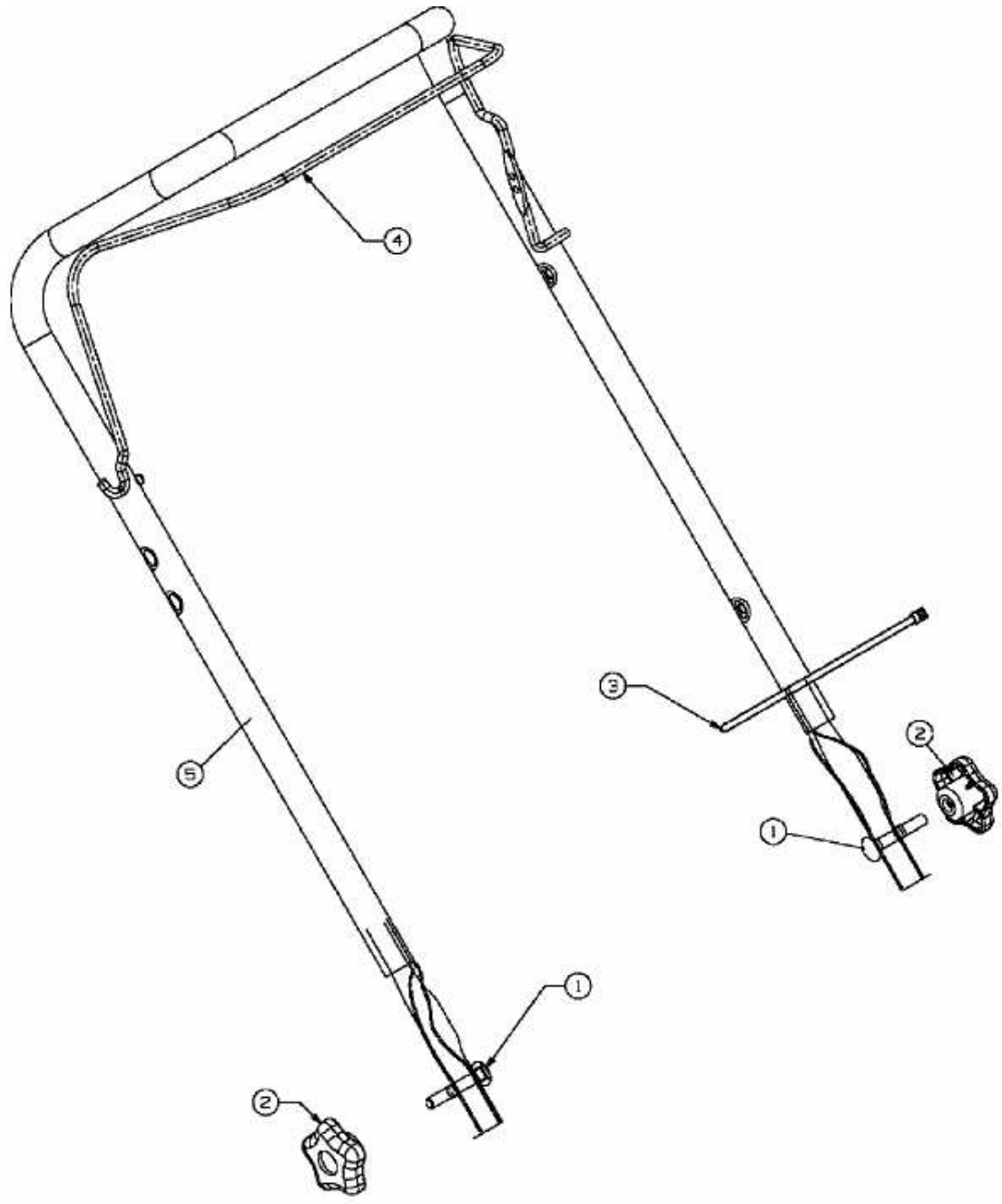


YM 5355 S > 31A-2T5-643 (2007) > HOLM



E4-01458A-01