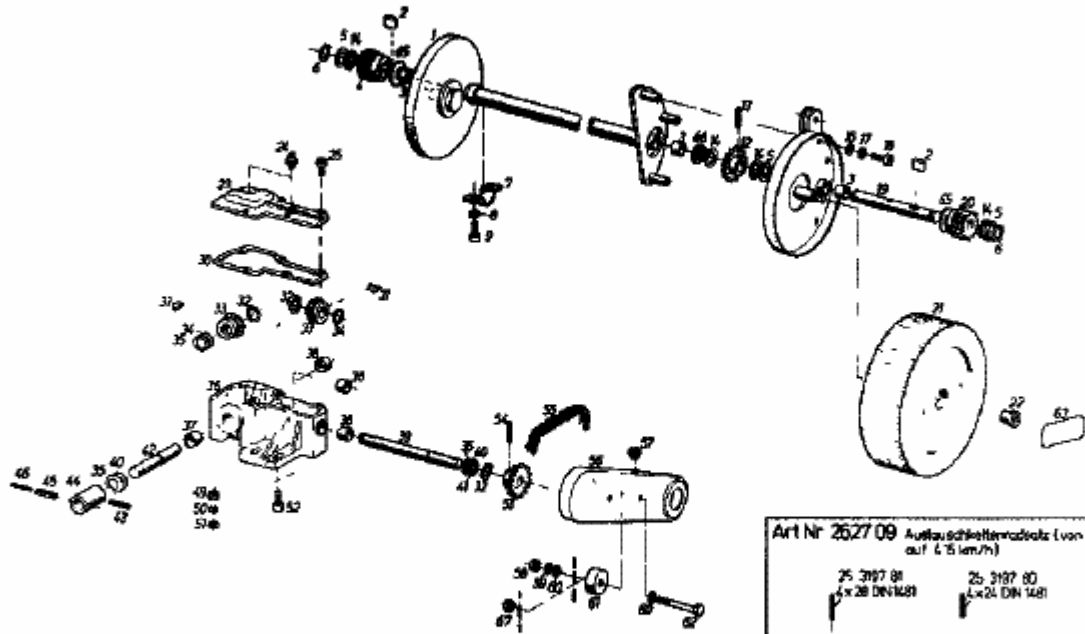


HB 45 R > 02627.03 (1985) > GETRIEBE, RÄDER



Art Nr 2627 09 Aullauschleifenratz (von 36 km/h auf 45 km/h)

25 3197 81 Lx28 DN1481	25 3197 80 Lx24 DN 1481
079 19 124 z = 15	079 19 123 z = 13

A small diagram showing two gears side-by-side. The gear on the left is larger and labeled 'z = 15'. The gear on the right is smaller and labeled 'z = 13'. Dashed lines indicate the replacement of the larger gear with the smaller one.