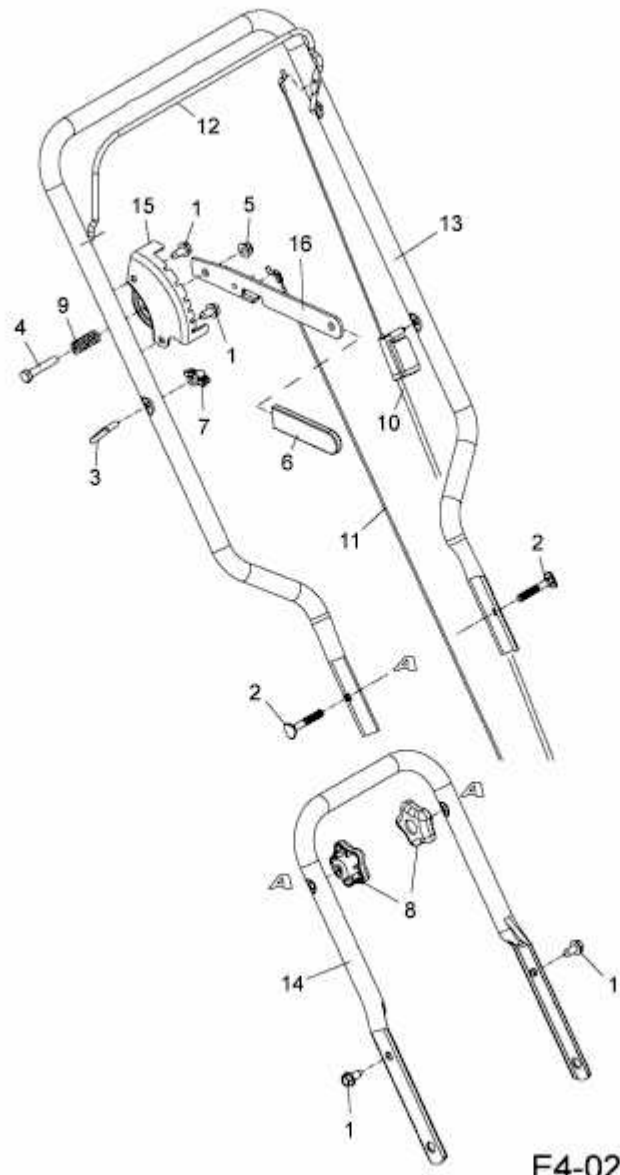


550 G > 25A-550G678 (2015) > HOLM



E4-02104C-01