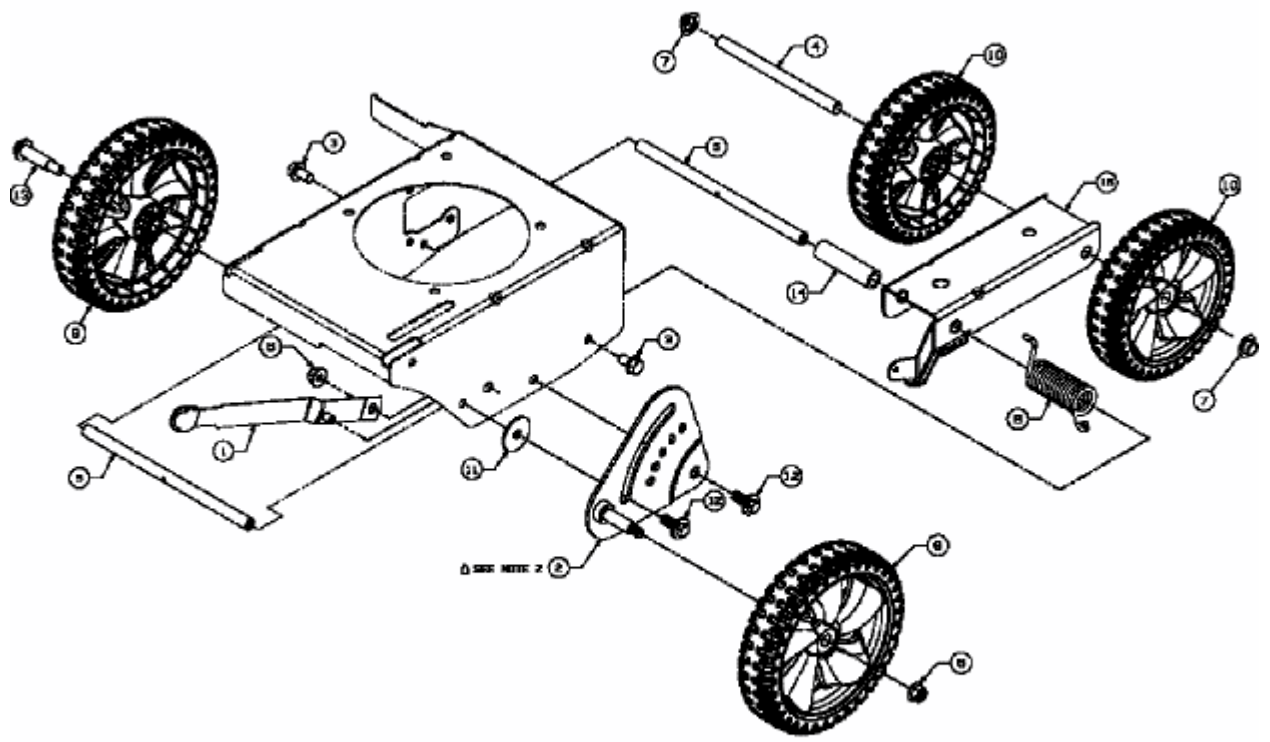


MOD. 550



E4-02109A-01