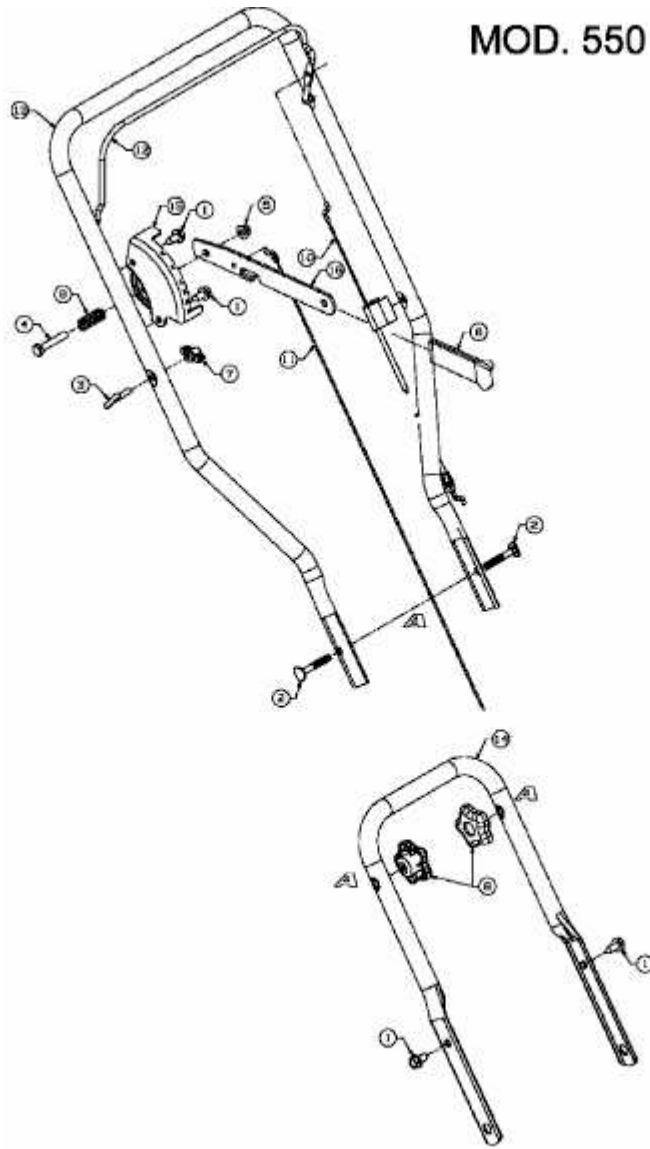


550 G > 25A-550G678 (2009) > HOLM

MOD. 550



E4-02104A-01