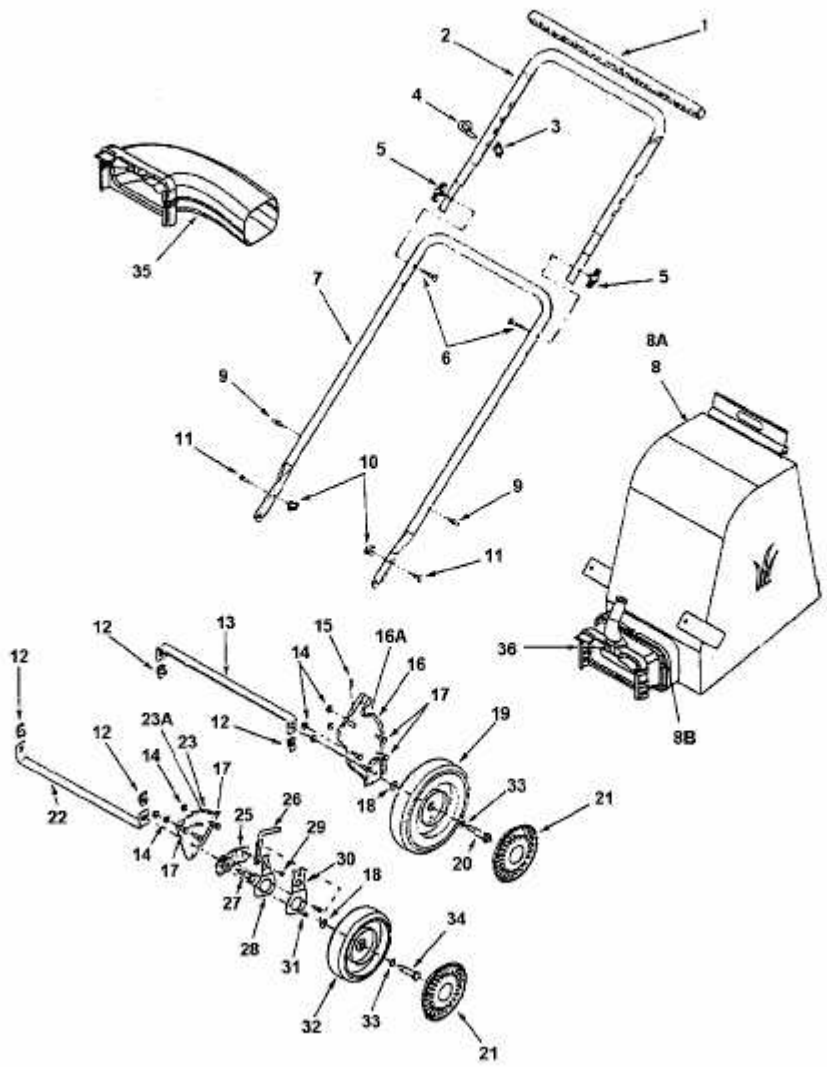


45 BV 24A-020D678
Model 020



fig

E4-00876B-01