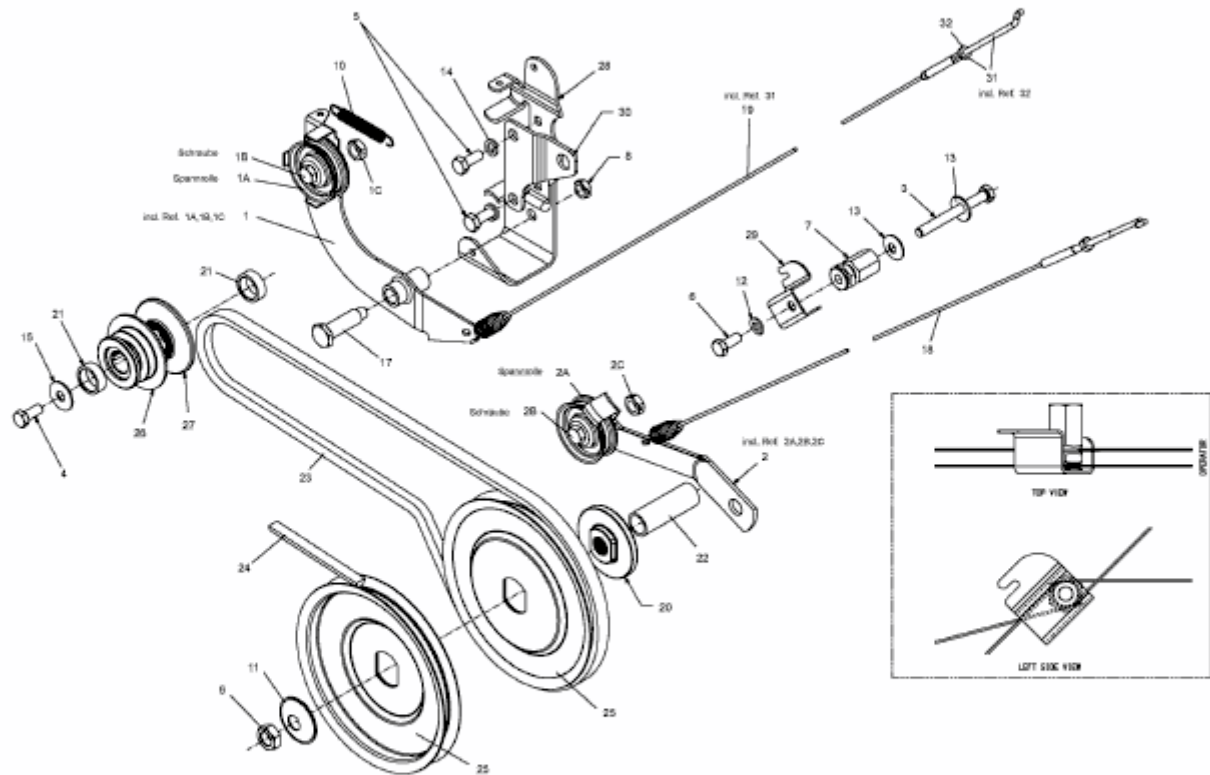


T 380 B 700 > 21D-382X602 (2014) > KEILRIEMEN, SPANNROLLE



E3-03462A-01