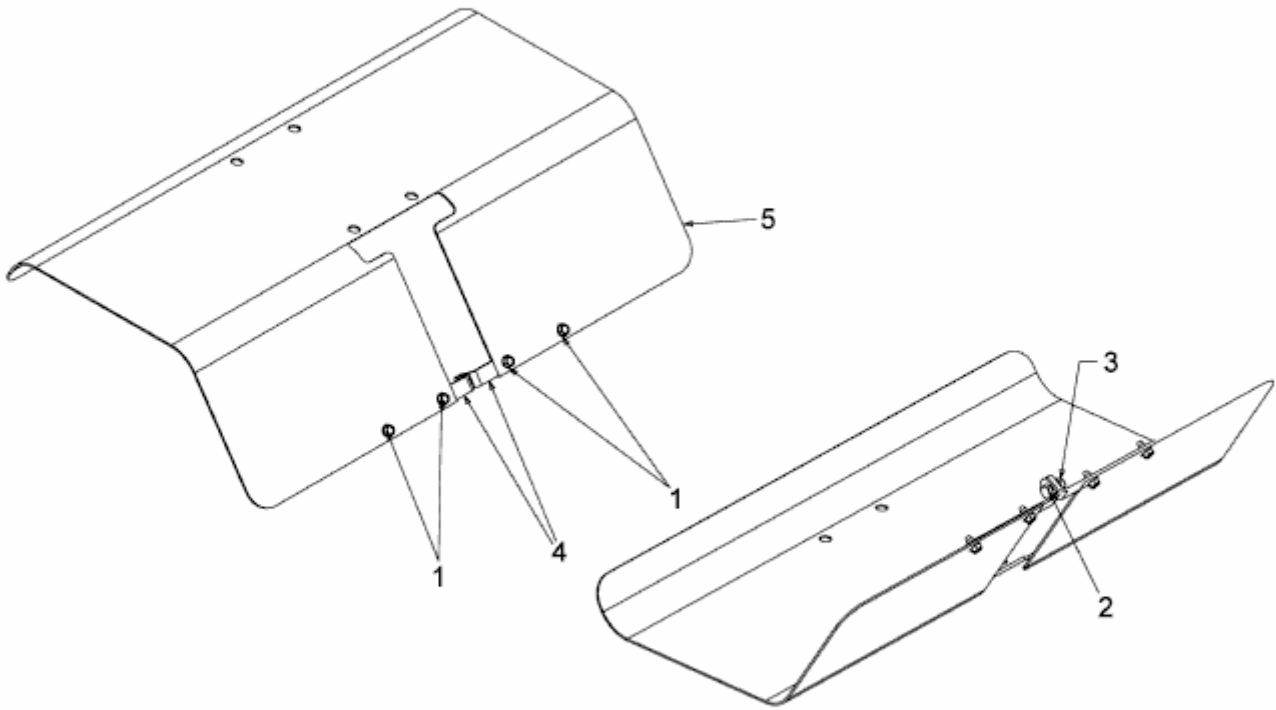


T/330 M > 21D-33MV678 (2015) > SCHUTZSCHILD



E3-07071A-01